



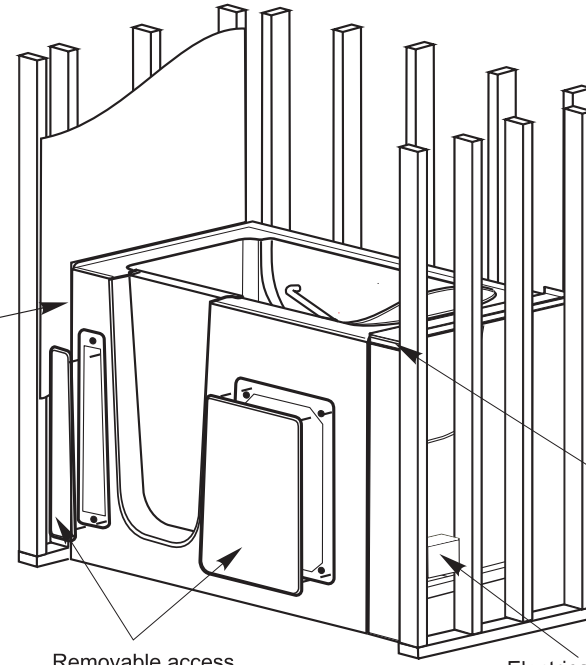
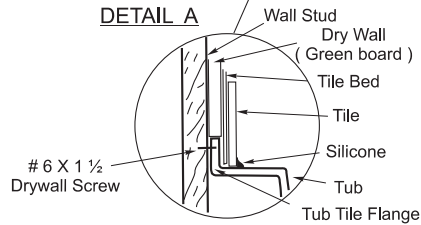
WALK IN BATHTUBS

INSTALLATION DETAILS

MODEL 3153

65 gal. Operating Capacity

IMPORTANT:
Pre-drill and screw tub flange to studs.
Do Not force tub flange to studs, this will cause the tub door to leak.



EXTENSION PANEL INSTALLATION

- Step 1. Slide front panel A onto front of tub.
- Step 2. Slide top panel B over tile flange.
- Step 3. Refer to Detail A on fastening flange to studs and sealing.

