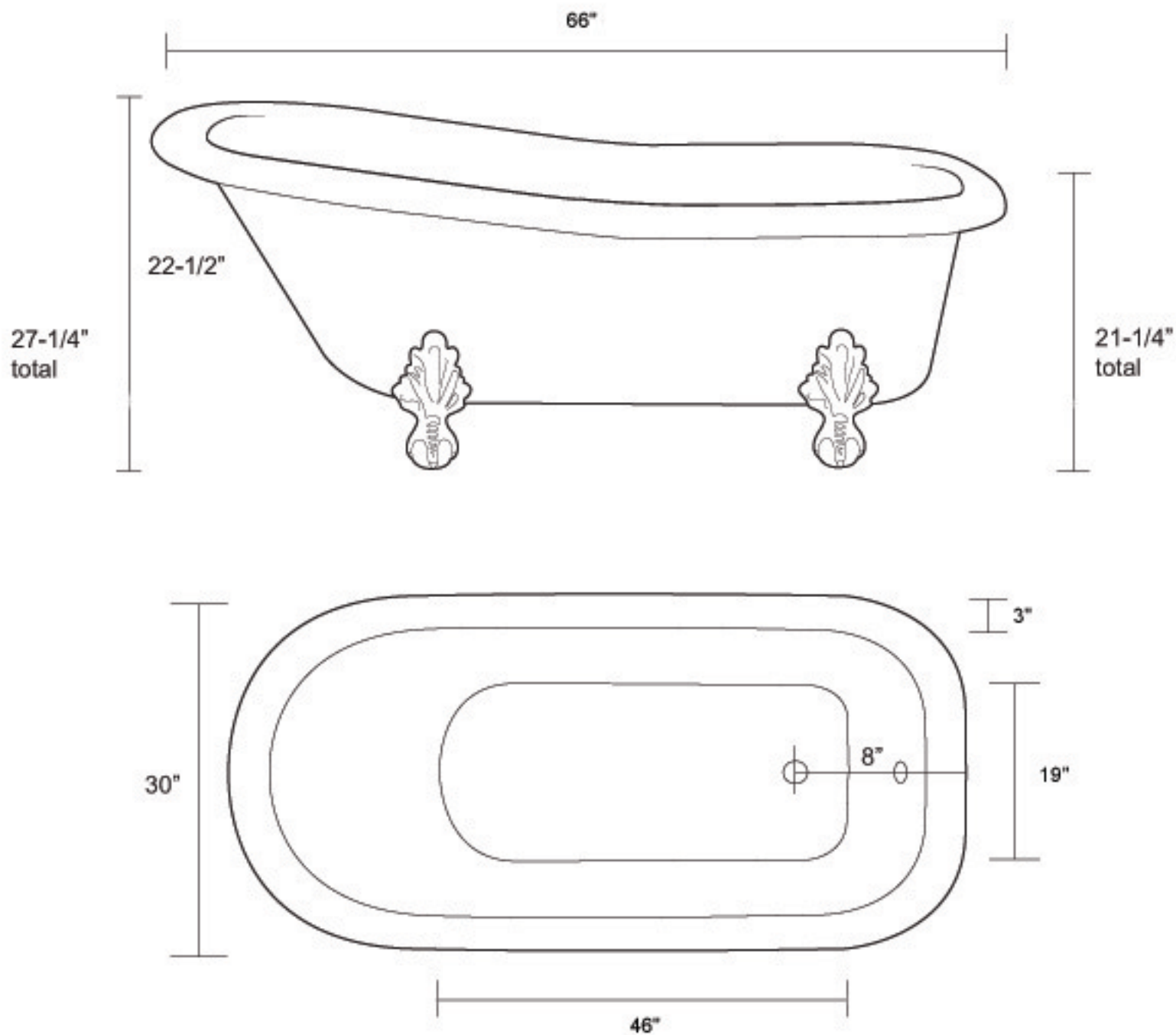


# 66 Inch Acrylic Clawfoot Slipper Bathtub



Overflow hole diameter is 2-1/4"

Rim drillings set on 7" centers

Water depth at the overflow is 14"