

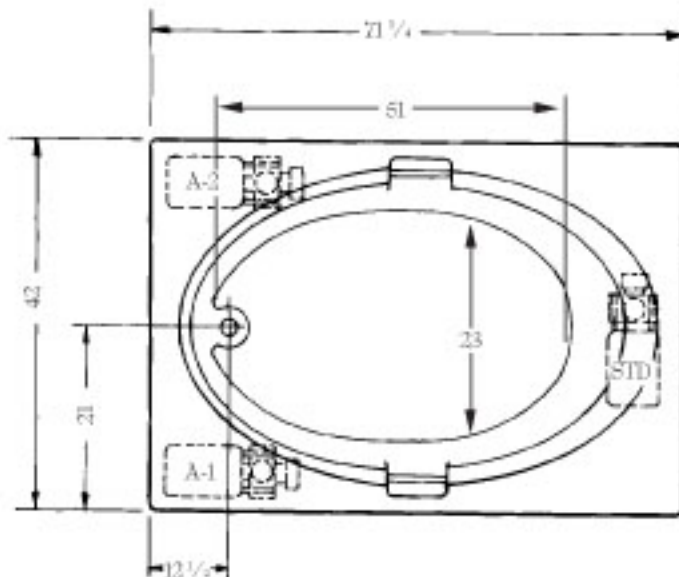


V A L T R A D E I I

MODEL: #4272-OTW
 ACRYLIC BATH ONLY: #4272-OTT

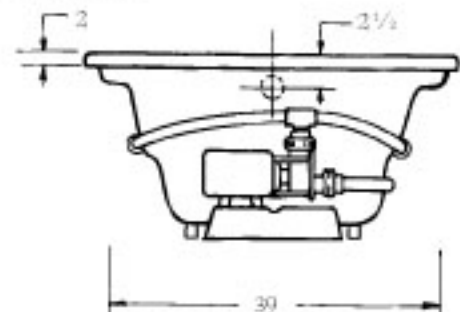
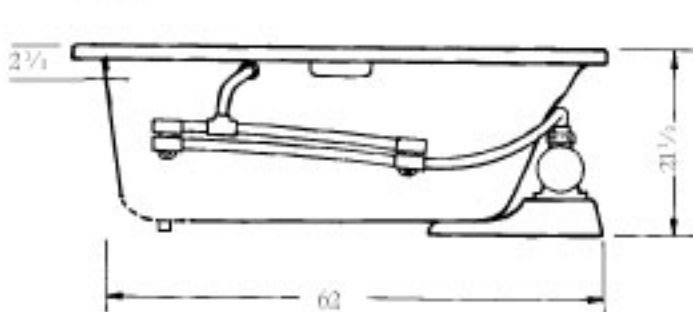
The acrylic whirlpool bath shall be model #4272-OTW (4272-OTT) as manufactured by Laurel Mountain Whirlpools, Inc. It shall be constructed of .125 thick cast acrylic sheet, backed by layers of polyester resin and fiberglass roving. It will be mounted on a FRP pre-leveled pump-base and two PVC/fiberglass legs. All components will be UL listed and approved. The pump motor will be 1 1/4 horsepower (1 phase, 115V, 60HZ, 3450 RPM, pre-mounted) and the plumbing system will be rigid PVC. The unit will contain 6 multi-directional jets, one air control and a safety suction fitting. Access to pump and plumbing system must be provided by installer in accordance with established plumbing and electrical codes.

ELECTRICAL SPECIFICATIONS - 115V, 20 AMP, GFCI Protected Circuit.



SPECIFICATIONS	WHIRLPOOL	TUB
42" x 71 1/4" x 21 1/2" Lip 2"		
Water Capacity - Operating Level	46.0 gal.	
- To Overflow	72.0 gal.	72.0 gal.
Approx. Unit Weight	155.0 lbs.	120.0 lbs.
Approx. Shipping Weight	215.0 lbs.	180.0 lbs.

*All dimensions are +/- 3/8" and subject to change without notice. Always pre-measure tub/whirlpool prior to framing alcove or creating deck installation cut out.



PUMP MOTOR: Standard 1 1/4 HP, Single Phase, 115V, 60HZ, 3425 RPM, Pre-installed (factory)

ELECTRICAL REQUIREMENTS: 115V, 20 AMP, GFCI Protected Circuit.



Bath Environment

www.whirlpoolbath.net
 whirlpool@earthlink.net
 800-894-1022