

ELMONT I & II

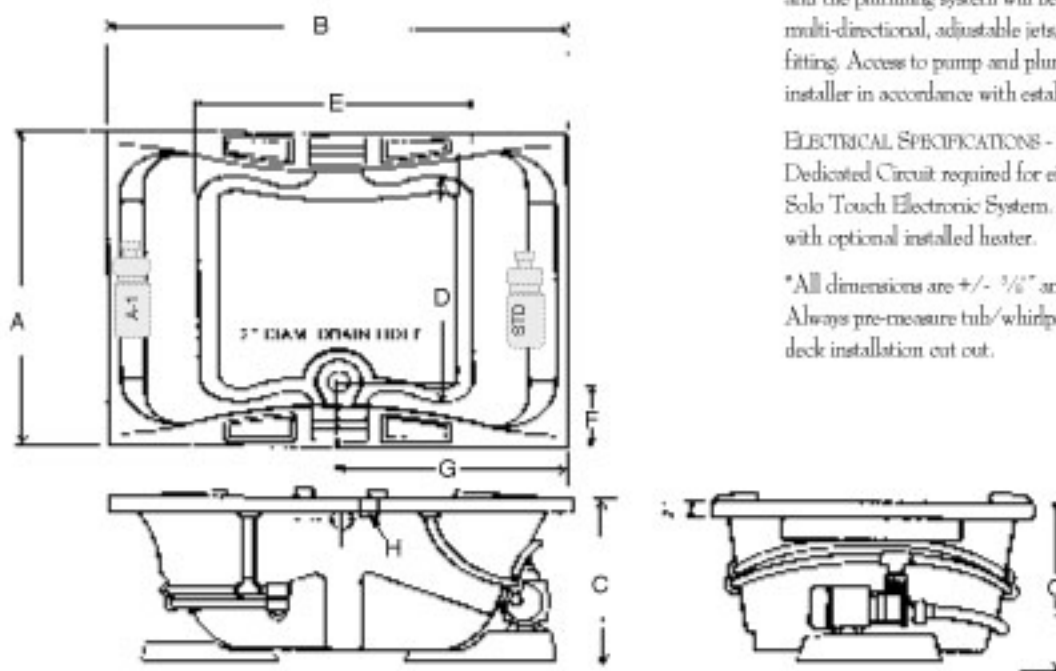
I MODEL: #4260-DW
 ACRYLIC BATH ONLY: #4260-DT

II MODEL: #4872-DW
 ACRYLIC BATH ONLY: #4872-DT

The acrylic whirlpool bath models shown on this page are manufactured by Laurel Mountain Whirlpools, Inc. The models shall be constructed of 1/2" thick cast acrylic sheet, backed by layers of polyester resin and fiberglass roving. It will be mounted on a FRP pre-leveled base. All components will be UL listed and approved. The pump motor will be 2 horsepower (1 phase, 115V, 60HZ, 3450 RPM, pre-mounted) and the plumbing system will be rigid PVC. The unit will contain 6 multi-directional, adjustable jets, dual air controls and a safety suction fitting. Access to pump and plumbing system must be provided by installer in accordance with established plumbing and electrical codes.

ELECTRICAL SPECIFICATIONS - 115V, 20 AMP, GFCI Protected Dedicated Circuit required for either Standard Air Switch or optional Solo Touch Electronic System. Additional identical circuit required with optional installed heater.

*All dimensions are +/- 1/8" and subject to change without notice. Always pre-measure tub/whirlpool prior to framing above or creating deck installation cut out.



MODEL #	A	B	C	D	E	F	G	H
4260-DW / 4260-DT	41 1/4	59 1/4	23	27	43	7	29 1/4	4 1/4
4872-DW / 4872-DT	48	71 1/4	23	34	50	8	35 1/4	3 1/4

MODEL #	WATER CAPACITY OPERATING LEVEL	WATER CAPACITY TO OVERFLOW	APPROX. UNIT WT.	APPROX. SHIPPING WT.
4260-DW	55 gal.	93 gal.	170 lbs.	240 lbs.
4260-DT	-	93 gal.	135 lbs.	205 lbs.
4872-DW	66 gal.	115 gal.	210 lbs.	280 lbs.
4872-DT	-	115 gal.	175 lbs.	245 lbs.

