

60" x 60" x 25"



CARIBBEAN (J-22V)

Elite SERIES



THE CARIBBEAN WILL BRING RELAXATION AND WARMTH EVEN TO THE TALLEST PERSON IN THIS TRUE TWO-PERSON CORNER BATH.

FEATURES:

- 14 flow-adjustable and directional jets including:
 - 6-pack back jets
 - 3-pack back jets
 - 4 foot jets
 - 1 side jet
- 3 B.H.P. pump - 14.4 Amps each
- Tri-ssage Control for distinct pump flow rates
- High gloss / high impact acrylic in standard colors
- Totally insulated with polyurethane foam
- Upper body jets can be shut down for operation at a lower water level
- Silent passive warm air induction system
- Drain back technology for sanitary bathing
- 5-year limited factory warranty
- Anti-microbial flex piping
- Rebar reinforcement
- Extra thick glassing
- Pre-leveled base
- Slip resistant bottom
- Energy efficient
- Noise absorbtion

OPERATING GALLONS (APPROX.):

- Regular Usage - 70 gal.
- Upper Body Usage - 100 gal.

OPTIONS AVAILABLE:

- Mood or LED lights
- Whirly triple spinning jets
- Bath waste & overflows
- Decorator and designer colors
- Contoured neck support pillow
- Jetted neck pillow
- Aromatherapy
- 6" acrylic grab bars
- Extra jets

COLORS AVAILABLE:

- White • Biscuit • Almond (Standard)
- Sandbar • Mexican Sand
- Black • Ice Gray

TRIM KIT FINISHES AVAILABLE:

- Polished Brass
- Polished Chrome
- Oil Rubbed Bronze
- Satin Nickel



STAY HOT GUARANTEE

Jetta guarantees that after 30 minutes of use, the water temperature will not drop more than two degrees. Our fully insulated whirlpool baths with low density foam insulation and passive warm air induction systems help keep you warmer, longer.

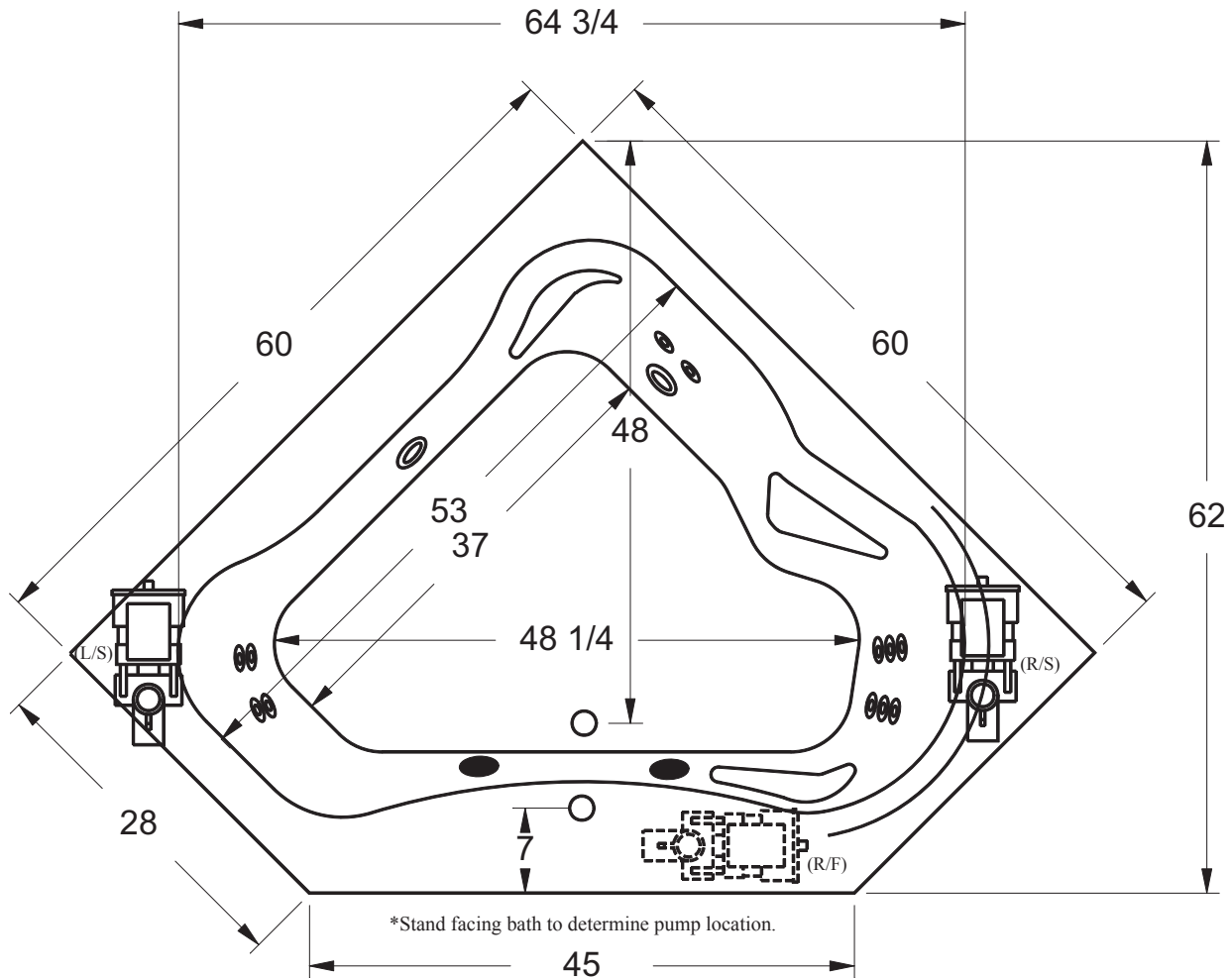


To Order or for More Information, E-mail whirlpool@earthlink.net or call 800-894-1022

CARIBBEAN (J-22V)

60" x 60" x 25"

JETTA CORPORATION TECHNICAL SPECIFICATIONS



ELECTRICAL SPECIFICATIONS:

Required Electrical Service 110/115 Volts
 Standard Whirlpool Bath 20 amp GFI
 Entire unit must be protected by a dedicated GFI breaker (refer to local codes).

CODES/STANDARDS APPLICABLE:

Specified model meets or exceeds the requirements for the following standards: UL Listed, ANSI, ASME, IAPMO.

SUGGESTED PUMP ACCESS PANEL:

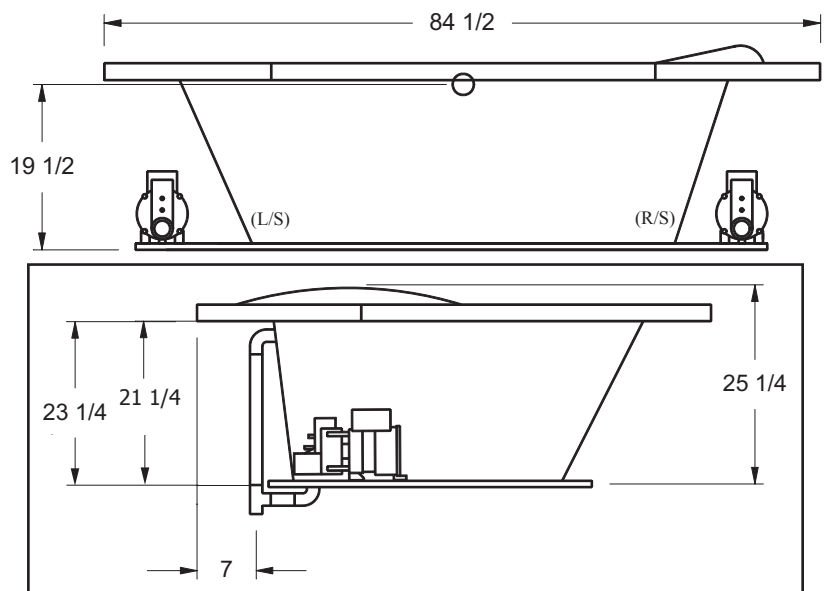
20" x 12" - Actual recommended size may vary depending on distance of access to pump location.

CUT OUT DIMENSION:

Subtract 1" from outside edge.

SHIPPING WEIGHT: 330 lbs.

* Pump position L/S will extend a minimum of 2" beyond edge of bath.



INSTALLATION: Measure tub before building tub deck. Add 1" to 3" of evenly distributed bedding compound under the base of the tub to provide maximum support. Tub should not be supported by rim in any way and should be level when installed. Jetta recommends using a quick setting concrete mix. Plastic sheeting should be laid between bedding and bath during installation. Drawing shows manufacturer's standard pump location. Optional locations available at an additional cost, depending on feasibility. Contact Jetta for details. Dimensional variance on drawings may be +/- 1/2 inch and are subject to change without notice.

