

AQUATIC

Designed for luxury. Engineered for life.



RESTORATION SERIES

Owner's Manual & Installation Guide

Note: Read all instructions before proceeding with installation.
All specifications are $\pm 1/4''$ and are subject to change without notice.

AQUATIC

TABLE OF CONTENTS

PRODUCT REGISTRATION/WARRANTY CARD	4
CONGRATULATIONS!	5
SAFETY INSTRUCTIONS	6
INSTALLATION INSTRUCTIONS	
Pre-Installation Procedures	7
Plumbing	7
Bath Installation	8
Rough-In Measurements	9
Bath Specifications	9-10
Pedestal Installation	11
MAINTENANCE AND CARE	
Cleaning	12
Surface Scratch Removal	12
Repair	12
Serial Number Location	12
AQUATIC LIMITED LIFETIME WARRANTY	13

AQUATIC INDUSTRIES, INC.

Warranty Confirmation and Product Registration Information

IMPORTANT:

To ensure that your warranty is registered and confirmed with the manufacturer, please take a few moments to complete, sign and return the Product Registration Card (below) within **30 days** of date of purchase.

WARRANTY CONFIRMATION:

By returning this Product Registration Card, we can confirm the date of purchase for your new product. This confirmation will allow Aquatic Industries, Inc. to process any warranty claims.

PURCHASE REGISTRATION:

The information provided on the Product Registration Card will be kept on file with Aquatic Industries, Inc. as your official Purchase Registration.

While completing the card, please take time to also fill in the owner information to the right, as this will help expedite any warranty claims, should the need arise.

OWNER INFORMATION:

Model Name _____

Serial Number _____

(See Table of Contents for Location)

Purchase Date _____

Distributor _____

AQUATIC

P.O. Box 889 • Leander, TX 78646-0889
Phone (800) 928-3707 • Fax (888) 296-7450

AQUATIC INDUSTRIES, INC.

Product Registration Card

To ensure that your warranty is registered with Aquatic Industries, Inc., complete, sign and return this registration card within 30 days of date of purchase or installation. **NOTE:** Your warranty will not be recognized by Aquatic Industries, Inc. unless this card is fully completed and returned to Aquatic Industries, Inc., P.O. Box 889, Leander, TX 78646-0889.

NAME _____ DISTRIBUTOR _____

ADDRESS _____ TUB MODEL _____

CITY _____ STATE _____ ZIP _____ SERIAL # _____ COLOR _____

PHONE _____ DATE PURCHASED _____

I have read the Aquatic Industries, Inc. Owner's Manual carefully and understand and agree that any installation, operation or maintenance of the whirlpool must be done strictly in accordance with instructions and guidelines contained in the Aquatic Industries, Inc. Owner's Manual and Installation Guide provided by Aquatic Industries, Inc. to my Aquatic Industries, Inc. Distributor.

SIGNATURE _____

5/06

CONGRATULATIONS!

You have chosen one of the finest bath products in the world! Aquatic Industries supports your purchase with strong commitments to quality and customer satisfaction.

Please read and follow all of the instructions contained in this Owner's Manual before installing, operating or maintaining your bath. In addition, you should continually refer to these instructions during the life of your bath. Failure to comply with these instructions may invalidate your warranty. If you have any questions concerning installation, maintenance or any other aspect of your bath, please contact: **AQUATIC INDUSTRIES CUSTOMER SERVICE CENTER: 800-928-3707.**

NOTE:

The installation and service of your bath should be performed **ONLY** by a qualified plumber.

IMPORTANT!

PLEASE CHECK ENTIRE UNIT FOR ANY DAMAGE.

If it appears damaged, contact your Aquatic Distributor **immediately**.

Aquatic Industries, Inc. warranty does not cover damage that occurs in transit or during handling.

IMPORTANT SAFETY INSTRUCTIONS

WARNING: WHEN USING THIS UNIT, THESE BASIC PRECAUTIONS SHOULD BE FOLLOWED.

This manual contains information and instructions for proper maintenance of your bath. Failure to follow these instructions could result in personal injury.

READ AND FOLLOW ALL INSTRUCTIONS

DANGER! TO REDUCE THE RISK OF INJURY:

- A. Do not permit children to use this unit unless they are closely supervised by an adult at all times. Supervision is also required when the bath is used by an elderly or handicapped individual.
- B. Use this unit only for its intended use as described in this manual. Do not use attachments not recommended by the manufacturer.
- C. The water in a bath should never exceed 40°C (104°F). Water temperatures between 38°C (100°F) and 40°C (104°F) are considered safe for a healthy adult. Use time should be limited to approximately 30 minutes, followed by a shower to cool down. Longer exposures may result in hyperthermia. The symptoms of this condition are nausea, dizziness and fainting, which can be fatal. Lower water temperatures are recommended for extended use (exceeding 10-15 minutes) and for young children.
- D. Since excessive water temperatures have a high potential for causing fetal damage during the early months of pregnancy, pregnant or possibly pregnant women should limit bath water temperatures to 38°C (100°F).
- E. The use of drugs or alcoholic beverages before or during bath use may lead to unconsciousness with the possibility of drowning. Never use the bath while under the influence of alcohol, anticoagulants, stimulants, antihistamines, vasoconstrictors, vasodilators, hypnotics, narcotics or tranquilizers.
- F. Persons with a medical history of heart disease, low or high blood pressure, circulatory system problems, or diabetes should consult a physician before using the bath.
- G. Persons using medication should consult a physician before using the bath since medication may induce drowsiness while other medication may affect heart rate, blood pressure and circulation.

DANGER: To reduce the risk of injury, enter and exit the bath slowly.

WARNING: Never operate electrical devices in or near the bath. Never drop or insert any object into any opening within the bath.

To avoid the possibility of personal injury and discoloration of the acrylic surface, the inlet water temperature should not exceed 60°C (140°F). The bath should be drained after each use. Each bather should start his or her bath with fresh water.

CAUTION: DO NOT USE HARSH ABRASIVES OR SOLVENTS FOR CLEANING THIS UNIT.

INSTALLER/OWNER BEARS ALL RESPONSIBILITY TO COMPLY WITH ALL STATE AND LOCAL CODES WHEN INSTALLING THIS PRODUCT.

SAVE THESE INSTRUCTIONS

INSTALLATION INSTRUCTIONS

PRE-INSTALLATION PROCEDURES:

PLEASE NOTE: THE MANUFACTURER ACCEPTS A 1/4" VARIANCE. THERE ARE VARIATIONS ON EACH TUB AND SPECIFICATIONS ARE SUBJECT TO CHANGE AS WE IMPROVE UPON OUR PRODUCT AS REQUIRED.

THE DIMENSIONS NEEDED FOR SITE PREPARATION AND STRUCTURE BUILDINGS SHOULD BE MEASURED FROM THE TUB; AQUATIC INDUSTRIES, INC. ASSUMES NO RESPONSIBILITY FOR PREPARATORY WORK.

1. Immediately upon receiving your Restoration Series bath, inspect it thoroughly for freight damage. If necessary, contact your distributor immediately (your distributor must contact Aquatic within 24 hours of receiving unit to file a claim.)

TO INSPECT:

2. Inspect the tub completely. Any defect must be reported to Aquatic prior to installation in order to have it covered by warranty.
3. Check to ensure that your installation will conform to all applicable codes and secure necessary permits.

WARNING: FAILURE TO FOLLOW THESE INSTRUCTIONS DURING INSTALLATION WILL RESULT IN TERMINATION OF THE WARRANTY: DO NOT STAND IN THE TUB DURING CONSTRUCTION.

DO NOT MAKE ANY ALTERATIONS, ADDITIONS, OR DELETIONS TO THE TUB.

PLUMBING:

1. After securing tub in place, install waste and overflow, faucet and valves per normal plumbing procedures, in accordance with all state and local standards.
2. Install 1-1/2" trap to drain and overflow. Before proceeding, make final operational check by filling tub with water to overflow. Carefully check for leaks. Allow water to stand in tub for at least 30 minutes before draining. **AQUATIC WILL NOT BE RESPONSIBLE FOR WATER DAMAGE OF ANY KIND.**

INSTALLATION INSTRUCTIONS

BATH INSTALLATION:

Make sure the floor is level and the support structure is adequate for the installation and use of this bath.

Locate and install water lines and drain lines.

BATH ASSEMBLY:

1. Ensure tub surface is protected during assembly, installation and the final phase of construction.
2. Temporarily place tub in position and mark foot anchoring locations.
3. Drill holes or place appropriate anchors in foot anchoring locations.
4. Place tub in position and complete drain installation. Anchor tub to floor. Install faucet (not included). Fill tub with water and empty, checking for leaks at all supply and drain locations (See Diagram 1A).

1A



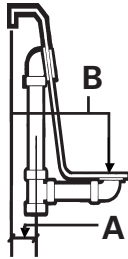
Attach feet to floor
(Claw feet are factory installed)

(Faucet and drain are not included)

INSTALLATION INSTRUCTIONS

ROUGH-IN MEASUREMENTS:

6A



MODEL

Restoration 1
Restoration 2
Restoration 3
Restoration 4
Restoration 5

A

(From center of overflow pipe to outside rim)

2 1/4"
2 3/4"
1 7/8"
2"
2"

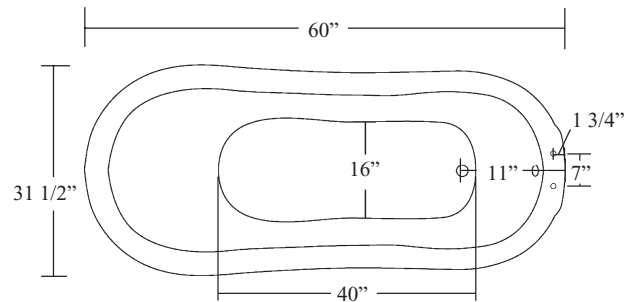
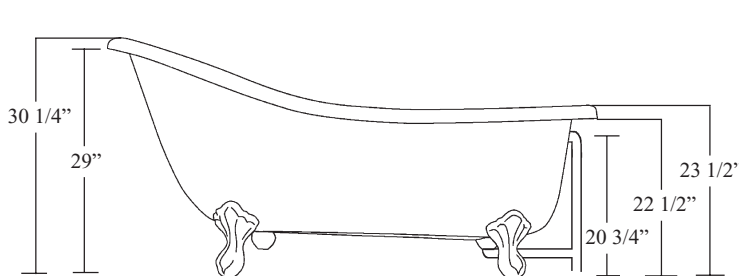
B

(From center of drain to tub rim)

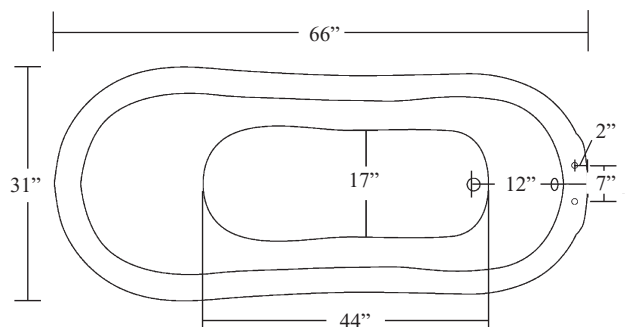
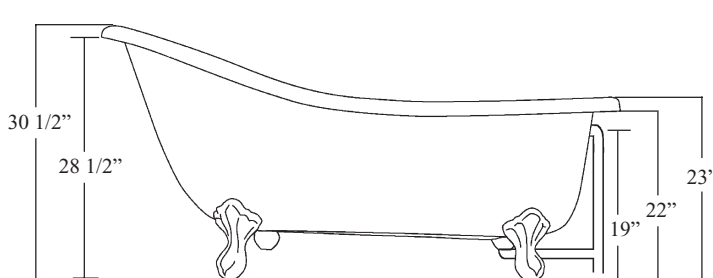
11"
12"
12 1/4"
11 3/4"
11 3/4"

TECHNICAL SPECIFICATIONS:

Restoration 1 (AIY6017TO):



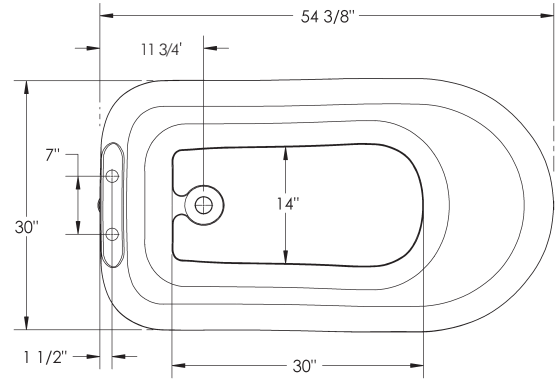
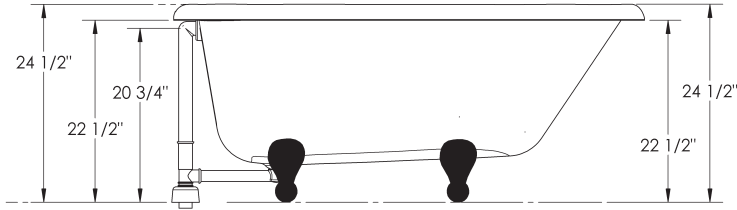
Restoration 2 (AIY6617TO):



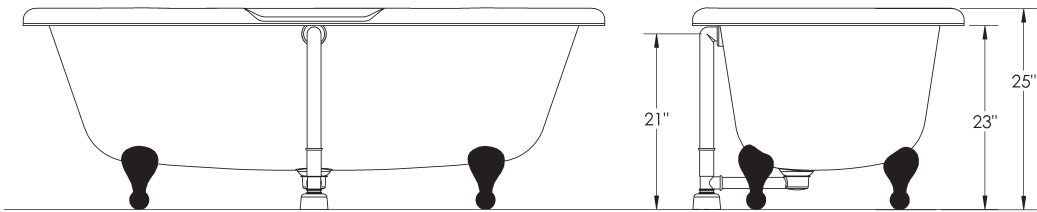
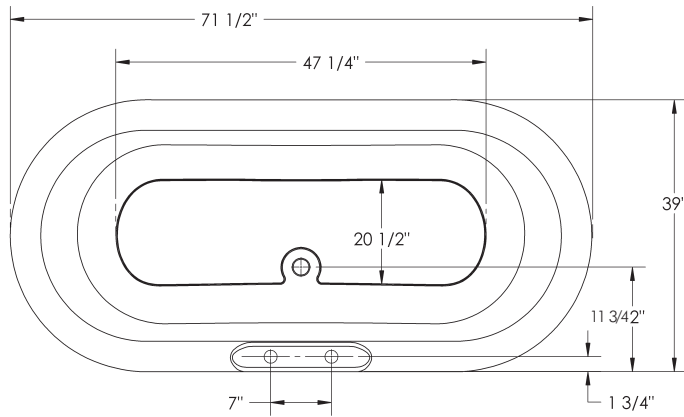
**THESE DIMENSIONS ARE FOR REFERENCE ONLY AND CAN VARY +/- 1/4".
IF EXACT MEASUREMENTS ARE REQUIRED, PLEASE USE THE ACTUAL TUB TO BE INSTALLED.**

TECHNICAL SPECIFICATIONS:

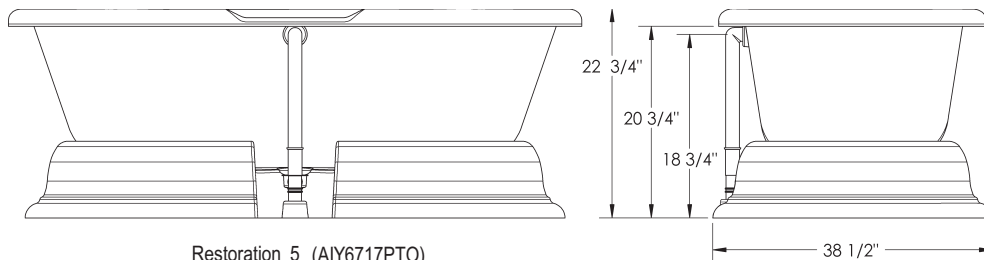
Restoration 3 (AIY5417TO):



Restoration 4 (AIY6717TO) and Restoration 5 (AIY6717PTO):



Restoration 4 (AIY6717TO)



Restoration 5 (AIY6717PTO)

INSTALLATION INSTRUCTIONS

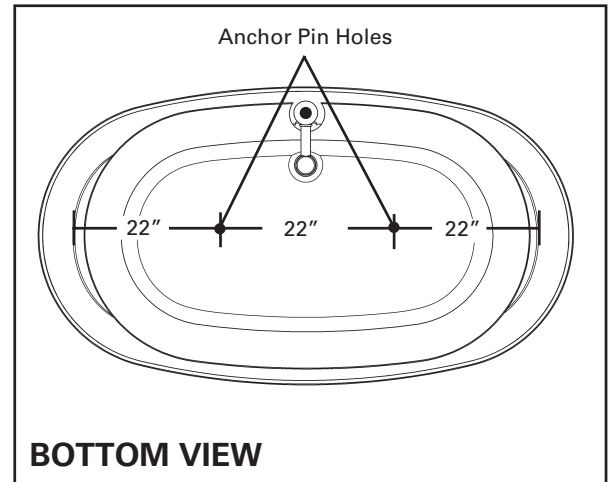
PEDESTAL INSTALLATION:

Before the floor installation is complete, make sure the floor is level. Once the floor installation is complete, determine the exact location of the bath and trace the contour of the bath with an erasable marker pen.

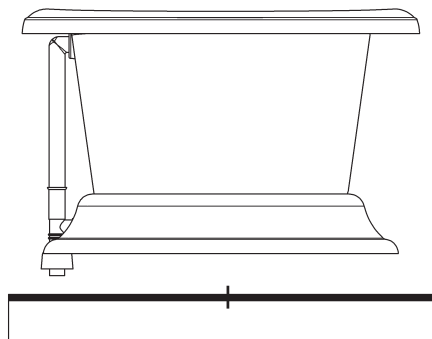
For information on maintenance and care, please refer to the Table of Contents.

1. Determine the exact location of the drain, and the two anchoring points at each end of the bath (see Diagram 10A).
2. Drill a 2" hole for the drain. To prevent the bath from moving sideways, secure two anchoring pins (3/8" x 3" lag bolts)* to the floor. Leave the lag bolts 1 1/2" above floor. Wipe off the marker tracings (see Diagram 10D).
3. Install the overflow and drain on the bath. Make sure pins are lined up with holes in tub. Apply a silicone seal under the rim of the base and lay the bath down putting the pipe through the floor. Immediately remove any excess silicone (see Diagrams 10B and 10C).

*Not Included

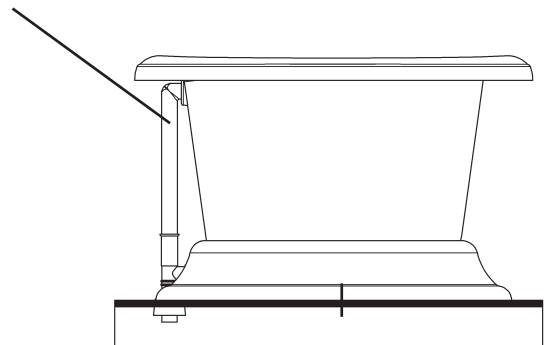


10A

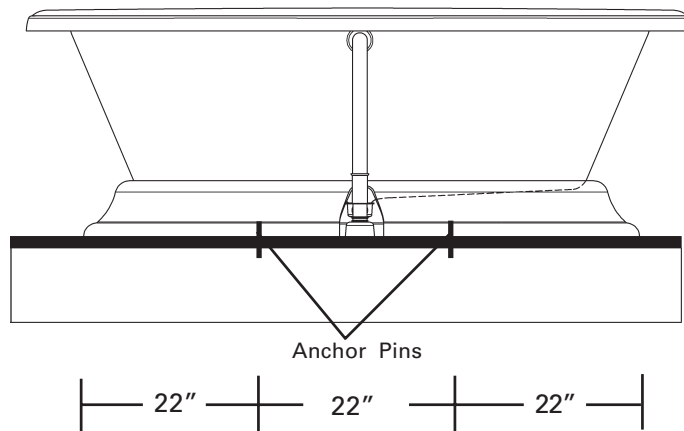


10B

Cut pipes to desired length prior to assembly.



10C



10D

MAINTENANCE AND CARE

CLEANING:

Use common household, non abrasive cleaners for most cleaning jobs. Clean grease, oil, paint and ink stains with Isopropyl (rubbing) alcohol. Rinse well and dry with a clean cloth or sponge. Rinse the tub thoroughly after cleaning. **Do not allow the acrylic surface to come into contact with products such as acetone (nail polish remover), nail polish, dry cleaning solution, lacquer thinners, gasoline, pine oil or other toxic and oily cleaners.**

SURFACE SCRATCH REMOVAL:

Minor scratches may be removed by polishing your tub with a non-abrasive car polish, followed by buffing. For deeper scratches please contact a local qualified service technician.

REPAIR:

The service of your tub should be performed only by a qualified service technician. Remember when contacting your distributor always have your serial number, proof of purchase and model number available. This will ensure a quick response on warranty items.

NOTE: ALL WARRANTY REPAIRS MUST BE AUTHORIZED BY AQUATIC BEFORE WORK IS STARTED. FOR SERVICE, ALWAYS CONTACT YOUR DISTRIBUTOR.

CAUTION: Care should be taken to prevent inappropriate chemicals coming in contact with the Lucite® acrylic surface. Please read and observe all instructions and/or warnings on containers containing substances you contemplate applying to your tub. Any failure to comply may void your warranty.

SERIAL NUMBER LOCATION:

The numbers are located on the bottom of the tub. Look for a label which resembles the one on the right.

A Q U A T I C
SOAKING TUB
SERIAL NO. _____
MODEL NO. _____
THIS UNIT IS MANUFACTURED AS A SOAKING TUB ONLY. RETROFIT HYDROMASSAGE SYSTEM, IF INSTALLED ON SOAKING TUB, REQUIRES SEPARATE LISTING BY PLUMBING CODE AUTHORITY.

Aquatic Industries, Inc. Limited Lifetime Warranty

For Millennium, Infinity, Century, LuxeAir, Luxury, and Gallery Series Whirlpools, Serenity Air Baths, Serenity Studio, HotSoak Series Baths and Restoration Series

Limited Warranty For Original Consumer For Household Usage

WHAT PRODUCTS ARE COVERED

Structures and surface finishes, pumps and blowers on the Millennium, Infinity, Century, LuxeAir, Luxury, Gallery, Serenity *Air Baths*, Serenity Studio, HotSoak, and Restoration Series.

Warranty Periods for Specific Components

LIFETIME WARRANTY FOR WHIRLPOOL/AIR BATH/TUB SHELL, PUMP AND BLOWER

Aquatic Industries, Inc. extends to the original consumer purchaser of the acrylic, fiberglass reinforced shell, a non-transferable lifetime warranty that the shell will retain its structural integrity and configuration and be free of water loss due to a defect in the tub shell. The warranty covers the tub shell and the factory installed pump and blower against defects in material or workmanship. This warranty does not apply to all other components (attachments to the acrylic, fiberglass reinforced shell, such as plumbing, fittings and other apparatus) because these pieces are covered below under a 2 Year Warranty.

LIFETIME SURFACE WARRANTY FOR FACE OF WHIRLPOOL/AIR BATH/TUB

The interior surface is warranted against fading, blistering, cracking and delamination due to defects in the surface materials for life. This surface warranty extends to defects due to surface material mixing or molding. This surface warranty does not apply to fading, cracking, delamination or blistering due to *excessive wear, sun fading or scouring due to cleaning*.

2 YEAR EQUIPMENT WARRANTY FOR SUPPORT EQUIPMENT, COMPONENTS, CONTROLS & PLUMBING EQUIPMENT

All support equipment; components, controls and plumbing equipment are warranted for 2 years from date of purchase, but not more than 3 years from date of manufacture, against defects in workmanship and materials. Light bulbs, fuses and pillows are not included in this two-year period. However, these accessories are warranted to be free from defects in materials and workmanship at the time of delivery to the original purchaser. Limited labor is covered for 2 years from purchase, but never more than 3 years from date of manufacture, for limited labor on the support equipment, controls, and plumbing.

EXCLUSIVE REMEDY

Aquatic Industries, Inc. will, **at its option**, repair or replace (without removal or installation) the affected components of any defective Unit or System; repair or replace (without removal or installation) the entire defective Unit or System; or refund the then-current list price of the Whirlpool, Air Bath, or Tub. In all cases, a reasonable time period must be allowed for warranty repairs to be completed.

WHAT YOU MUST DO

In order to make a claim under these warranties:

1. You must be the original consumer purchaser of the Whirlpool, Air Bath, or Tub.
2. You must promptly notify us within the warranty period of any defect and provide us with any substantiation that we may reasonably request. Write to: **Aquatic Industries, Inc. P.O. Box 889 Leander, TX 78646.**
3. The Whirlpools, Air Baths, and Tubs must have been installed and maintained in accordance with good industry practice and the specific Aquatic Industries, Inc. directions contained in the Owner's Manual and Installation Guide.

EXCLUSIONS

These warranties do **not** extend to or do **not** cover defects caused by:

1. Shipping damage by carriers or installation errors.
2. Accident, acts of God, abuse or misuse.
3. Unreasonable use (including any use for non-bathing purposes or failure to provide reasonable and necessary maintenance as specified in Aquatic Industries, Inc. Owner's Manual and Installation Guide supplied with the Whirlpool, Air Bath or Tub).
4. Any alteration, customization, or modification of the Whirlpool/Air Bath/Tub or its components.

LIMITATIONS

1. **AQUATIC INDUSTRIES, INC. whirlpools and tubs sold for industrial, commercial and hotel use** are warranted for two years, but not more than 3 years from date of manufacture, with a 2 year limited warranty that the shell will retain its structural integrity and configuration and be free of water loss due to a defect in the tub. The interior surface/face of the whirlpool/air bath/tub is warranted against fading, blistering, cracking and delamination due to defects in the surface materials for 2 years as well. All support equipment, components, controls and plumbing equipment and limited labor on the support equipment, controls, or plumbing are warranted for 1 year from date of purchase, but not more than 2 years from date of manufacture. Pump seals, "O" rings, light bulbs, fuses and pillows are not included in this two-year period. However, these accessories are warranted to be free from defects in materials and workmanship at the time of delivery to the original purchaser.
2. **In all cases, AQUATIC INDUSTRIES, INC. reserves the right to fully satisfy its obligations under the Limited Warranties by refunding the then current list price of the defective Whirlpool, Air Bath, or Tub (or, if the Whirlpool, Air Bath, or Tub has been discontinued, of the most nearly comparable current product).**
3. **THESE WARRANTIES ARE NON-TRANSFERABLE TO ANY OTHER PURCHASER OR PARTY OTHER THAN THE ORIGINAL CONSUMER. NO OTHER AGENT OR PARTY CAN GIVE ANY OTHER WARRANTY OR PROMISE. THIS IS THE SOLE WARRANTY FOR YOUR AQUATIC INDUSTRIES, INC. PRODUCT.**
4. **AQUATIC INDUSTRIES, INC. will not cover any installation or reinstallation costs related to this warranty, except under the limited labor allowance under the 2 Year Equipment Warranty above.**

GENERAL

This warranty gives you specific legal rights; you may also have other rights, which vary from state to state. THE DURATION OF ANY IMPLIED WARRANTIES, INCLUDING THE IMPLIED WARRANTIES OF MERCHANTABILITY AND FITNESS FOR A PARTICULAR PURPOSE, ARE LIMITED TO THE DURATION OF THE EXPRESS WARRANTIES HEREIN. AQUATIC INDUSTRIES, INC. EXPRESSLY EXCLUDES INCIDENTAL AND CONSEQUENTIAL DAMAGES, TO INCLUDE LOSS OF TIME, INCONVENIENCE, OR LOSS OF USE OF RESIDENCE, FOR ANY BREACH OF THE EXPRESS OR IMPLIED WARRANTY, INCLUDING THE IMPLIED WARRANTIES OF MERCHANTABILITY OR FITNESS FOR A PARTICULAR PURPOSE. SOME STATES DO NOT ALLOW ANY LIMITATION ON HOW LONG AN IMPLIED WARRANTY LASTS, OR THE EXCLUSION OR LIMITATION OF INCIDENTAL OR CONSEQUENTIAL DAMAGES; SO THE ABOVE EXCLUSION MAY NOT APPLY TO YOU.

AQUATIC

AQUATIC INDUSTRIES, INC.

Fax-On-Demand System: Toll Free (877) 618-7024

P.O. Box 889 Leander, Texas 78646-0889 11880 RR 2243 W. Leander, Texas 78641

(800) 928-3707 Fax: (888) 296-7450

www.aquaticwhirlpools.com