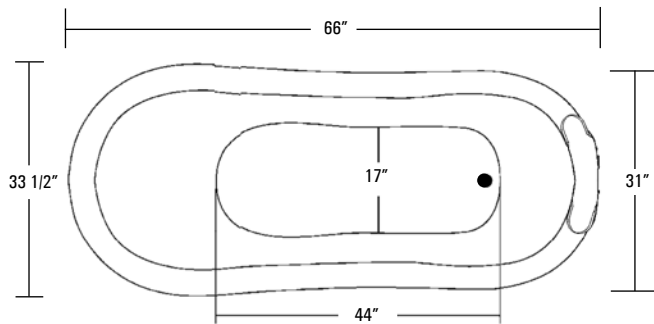
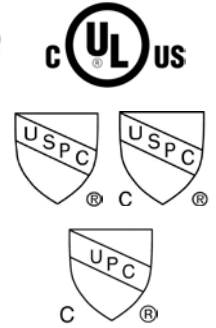
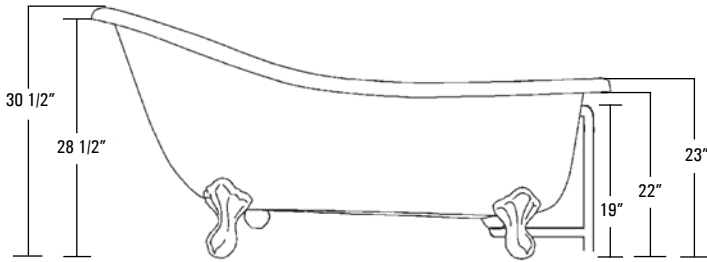


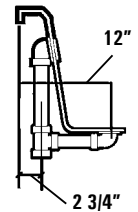
RESTORATION 2

AQUATIC

RESTORATION SERIES MODEL # AIY6617TO



Rough-In Plumbing Measurements



SPECIFICATIONS:

GENERAL SPECIFICATIONS:

Tub Size	66" x 33 1/2" x 30 1/2" 168 cm x 79 cm x 78 cm
Bathing Well	44" long 17" wide 16 1/2" interior depth
Shipping Weight	194 lbs. / 88 kg
Tub Weight Filled	519 lbs. / 236 kg
Tub Only Weight	102 lbs. / 46 kg
Gallons to Overflow	50 gal. / 189 L

STANDARD EQUIPMENT:

Aquatic Quality Features:

- Slip Resistant Floor
- Deep Bathing Well
- Claw Feet Available in Chrome, Polished Brass, Satin Nickel, Polished Nickel, Oil Rubbed Bronze and White
- Thick, Durable Acrylic Surface
- Available in White Only

UL & IAPMO Listed

Limited Lifetime Warranty

OPTIONAL EQUIPMENT:

- Comfort Pillow - Oval or Rectangle (White, Biscuit or Black)
- Freestanding Waste and Overflow
 - Chrome, Polished Brass, Polished Nickel, Satin Nickel, Oil Rubbed Bronze or White

The manufacturer accepts a 1/4" variance. There are variations on each tub and specifications are subject to change as we improve upon our product as required. The dimensions needed for site preparation and structure building should be measured from the tub; Aquatic Industries, Inc. assumes no responsibility for preparatory work.

www.whirlpoolbath.net 800-894-1022