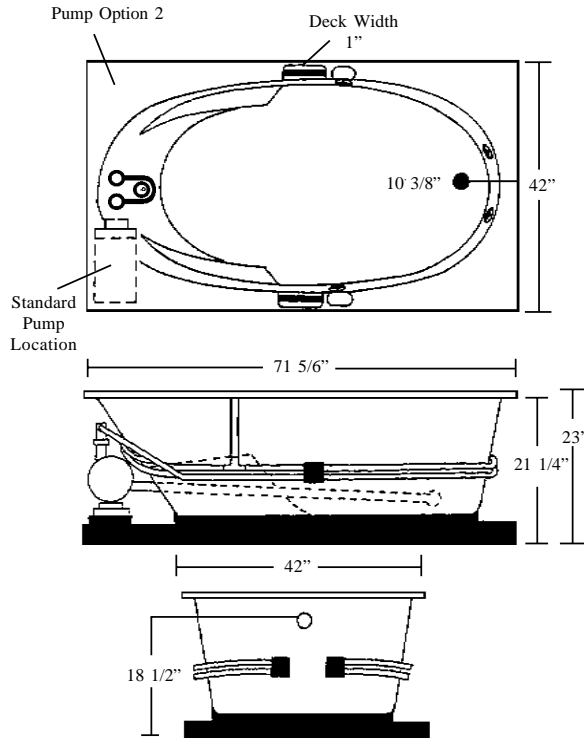


POMPANO

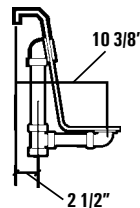
AQUATIC

LUXURY SERIES MODEL # AI72420 / AI72420TO (Tub Only)



CAN BE USED IN AN UNDERMOUNT APPLICATION

Rough-In Plumbing Measurements



EQUIPMENT LEGEND

- Drain
- Standard Pump Location
- StressEaz Neck and Shoulder Therapy System II
- Rotary Massage Jet
- Full Size Pressure-Flo Hydrotherapy Jet

Note: Tub Only units do not come standard with the Pre-leveled ABS Support Base except for those ordered with the HotSoak option.

SPECIFICATIONS:

General Specifications:

Tub Size	71 5/6" X 42" X 23"
Bathing Well	48" long 24" wide 19 3/4" interior depth
Shipping Weight	232 lbs. / 105 kg
Tub Weight Filled	857 lbs. / 389 kg
Tub Only Weight	138 lbs. / 63 kg
Gallons to Overflow	87 gal. / 329 L
Gallons to Operate	68 gal. / 257 L

Electrical Specifications:

Pump Requirement	1.75 HP; 12 AMP; 110V, separate circuit required protected w/ Class A GFCI
Optional Heater Requirement	1.5 kW; 12.5 AMP; 110V, separate circuit required protected w/ Class A GFCI

Tub Only with Hot Soak Electrical Specifications:

Pump Requirement	1/15 HP; 1.3 AMP; 110V
Optional Heater Requirements	1.5 kW; 12.5 AMP; 110V, separate circuit required protected w/ Class A GFCI

STANDARD EQUIPMENT:

- **7 Hydrotherapy Jets including:**
4 Full Size Pressure-Flo Hydrotherapy Jets
2 StressEaz Neck & Shoulder Therapy Jets
1 Recessed Rotary Massage Jet
- **Aquatic Quality Features:**
1.5 HP Run-Dry Pump with 20-Minute Timer
Bath-Side On/Off Electronic Button
"Quiet Pad" Anti-Vibration Pump Mount for Quiet Pump Operation
2 Acrylic Grab Bars
2 Arm Rests
Slip Resistant Floor
Pre-leveled ABS Support Base (Whirlpool & Hot Soak)
Heat-bent Rigid PVC Piping for Optimum Sanitary Conditions
Durable, Easy to Clean, Lucite® Cast Acrylic Surface
Available in 8 Standard No-Charge Colors
- **UL & IAPMO Listed, Factory Tested**
- **Limited 10 Year Warranty**

Fax-On-Demand Document # 1049



OPTIONAL EQUIPMENT:

- Chromatherapy LED Lighting
- Comfort Pillow -- Oval or Rectangle
- Jet Finish
-- Chrome, Polished Brass, Gold, Polished Nickel or Satin Nickel
- Grab Bars
-- Chrome, Polished Brass, Gold, Polished Nickel or Satin Nickel
- 1.5 kW Inline Maintenance Heater
- HotSoak - Factory Installed Pump & Maintenance Heater (Tub Only)
- Lift & Turn Waste and Overflow
-- Chrome, Polished Brass, Gold, Polished Nickel or Satin Nickel
- Cable Drive Waste and Overflow
-- Chrome, Polished Brass, Gold, Polished Nickel, Satin Nickel or Color Matched (Bone, White & Biscuit Only)
- Hand Held Jet
- Factory Installed Rigid ABS Tile Flange
- Decorative Rim Kit -- Chrome or Polished Brass
- 2 HP, 3-Speed Run-Dry Pump Upgrade
- Optional Pump Location
- Remote Pump Location
- Pre-leveled ABS Support Base (Tub Only)
- Color Matched Acrylic Skirt
- Premium Colors

All acrylic colors featured by Aquatic match the industry's leading fixture manufacturers.

The manufacturer accepts a 1/4" variance. There are variations on each tub and specifications are subject to change as we improve upon our product as required. The dimensions needed for site preparation and structure building should be measured from the tub; Aquatic Industries, Inc. assumes no responsibility for preparatory work.