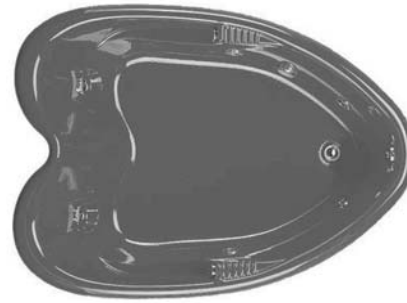
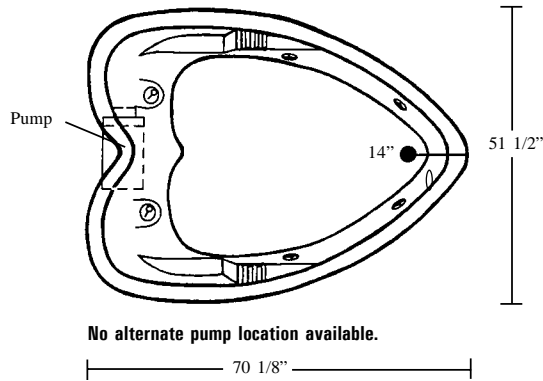


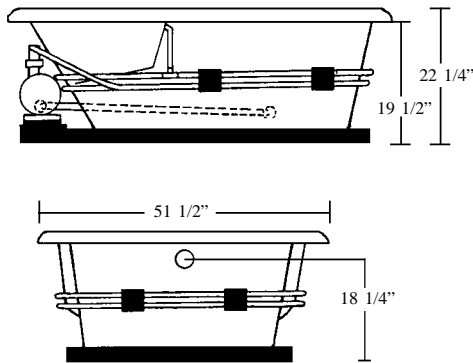
THE HEART

AQUATIC

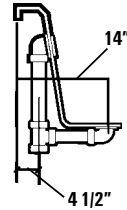
LUXURY SERIES MODEL # AI6648H



Two Person Bath



Rough-In Plumbing Measurements



EQUIPMENT LEGEND

- Drain
- Pump Location
- Rotary Massage Jet
- Full Size Pressure-Flo Hydrotherapy Jet

SPECIFICATIONS:

General Specifications:

Tub Size	70 1/8" x 51 1/2" x 22 1/4" 178 cm x 131 cm x 57 cm
Bathing Well	44" long 33" wide 20 3/4" interior depth
Shipping Weight	190 lbs. / 86 kg
Tub Weight Filled	927 lbs. / 420 kg
Gallons to Overflow	95 gal. / 360 L
Gallons to Operate	1 bather: 76 gal. / 288 L 2 bathers: 57 gal. / 216 L

Electrical Specifications:

Pump Requirement	1.75 HP; 12 AMP; 110V 15 AMP; 110V, separate circuit required protected w/ Class A GFCI
Optional Heater Requirement	1.5 kW; 12.5 AMP; 110V 15 AMP; 110V, separate circuit required protected w/ Class A GFCI

STANDARD EQUIPMENT:

- **6 Hydrotherapy Jets including:**
 - 4 Full Size Pressure-Flo Hydrotherapy Jets
 - 2 Recessed Rotary Massage Jets
- **Aquatic Quality Features:**
 - 1.5 HP Run-Dry Pump with 20-Minute Timer
 - Bath-Side On/Off Electronic Button
 - "Quiet Pad" Anti-Vibration Pump Mount for Quiet Pump Operation
 - 2 Integrally Molded Safety Grasps
 - 2 Arm Rests
 - Slip Resistant Floor
 - Pre-levleed ABS Support Base
 - Heat-bent Rigid PVC Piping for Optimum Sanitary Conditions
 - Durable, Easy to Clean, Lucite® Cast Acrylic Surface
 - Available in 8 Standard No-Charge Colors
- **UL & IAPMO Listed, Factory Tested**
- **Limited 10 Year Warranty**

OPTIONAL EQUIPMENT:

- Chromotherapy LED Lighting
 - Comfort Pillow -- Oval or Rectangle
 - Jet Finish
 - Chrome, Polished Brass, Gold, Polished Nickel or Satin Nickel
 - 1.5 kW Inline Maintenance Heater
 - Lift & Turn Waste and Overflow
 - Chrome, Polished Brass, Gold, Polished Nickel or Satin Nickel
 - Cable Drive Waste and Overflow
 - Chrome, Polished Brass, Gold, Polished Nickel, Satin Nickel or Color Matched (Bone, White & Biscuit Only)
 - Hand Held Jet
 - Decorative Rim Kit -- Chrome or Polished Brass
 - 2 HP, 3-Speed Run-Dry Pump Upgrade
 - Remote Pump Location
 - Premium Colors
- All acrylic colors featured by Aquatic match the industry's leading fixture manufacturers.*

Fax-On-Demand Document # 1041



The manufacturer accepts a 1/4" variance. There are variations on each tub and specifications are subject to change as we improve upon our product as required. The dimensions needed for site preparation and structure building should be measured from the tub; Aquatic Industries, Inc. assumes no responsibility for preparatory work.