

UNIVERSAL OVAL – ESTATE SERIES

inches (mm)

70 x 41 ¾ x 26 ¼ (1780 x 1060 x 670) • Fax on Demand #1276

WHIRLPOOL MODEL #AI7242RUO

SOAKER MODEL #AI7242RUOTO



FEATURES

- 8 hydrotherapy jets: pressure-flo (4), StressEaz neck and shoulder therapy (2), recessed rotary (2)
- 1.75hp pump
- Electronic on/off control
- Deep bathing well
- Acrylic grab bar
- Sculpted armrests
- Slip-resistant floor
- Pre-leveled ABS support base
- Quiet pad anti-vibration pump mount
- Center Front drain
- Lucite cast acrylic surface
- Limited lifetime warranty

OPTIONS

- Chromatherapy LED lighting
- 1.5kW inline maintenance heater
- Comfort pillow: Biscuit, Black, White
- Grab bar(s): Chrome, Oil Rubbed Bronze, Polished Brass, Brushed Nickel, Color matched (Biscuit, White, Clear)
- Cable drive waste & overflow: Chrome, Oil Rubbed Bronze, Polished Brass, Brushed Nickel, Color Matched (Biscuit, Bone, White)
- Optional pump location

AQUATIC ADVANTAGE

- National distribution
- 6 manufacturing facilities
- Private fleet
- Centralized customer service
- Field support
- 24-hour fax-on-demand

COLOR & TRIM OPTIONS

Stock	Premium
Almond (C, M)	Black (C, M)
Bone (C, M)	Cashmere (M)
Linen/Biscuit (C, M)	Mexican Sand (M)
Sterling Silver (C, M)	Red (M)
White (C, M)	Sandbar (M)

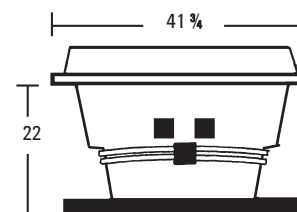
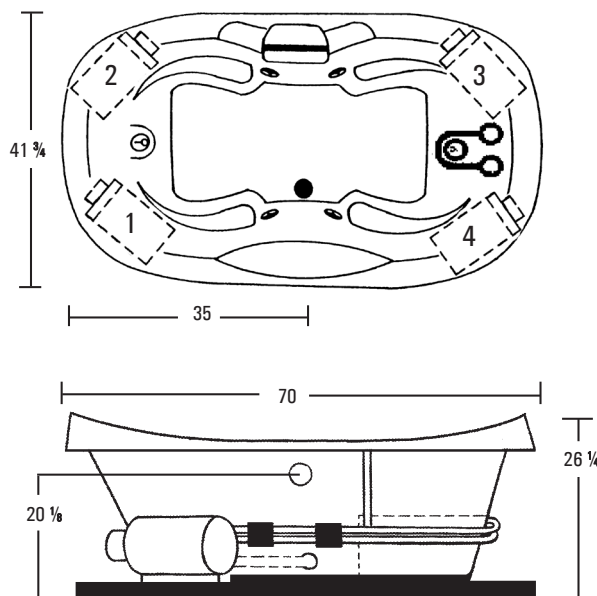
C = Color Matched Trim

M = Metallic Trim (Brushed Nickel, Chrome, Polished Brass)



UNIVERSAL OVAL

70 x 41 3/4 x 26 1/4 (1780 x 1060 x 670)
inches (mm)



Note: Tub Only units do not come standard with the Pre-leveled ABS Support Base.

FEATURES lbs (kg) Dimensional Tolerance ± 3/8". Dimensions needed for site preparation should be measured from the unit. Aquatic assumes no responsibility for preparatory work.

Type and Model #	Material	Jets	Pump	Heater	Controls	Drain	Pkg. Wt.
Soaker #AI7242RUOTO	Acrylic	0	-	-	-	Center Front	169 (63)
Whirlpool #AI7242RUO	Acrylic	8	1.75 HP	1.5 kw Inline (optional)	Electronic on/off	Center Front	219 (99)

DIMENSIONS inches (mm)

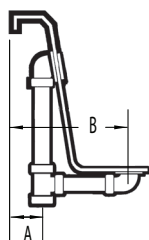
Width Overall / Net	Depth Overall / Net	Height Overall / Net	Skirt Height
70 (1780)	41 3/4 (1060)	26 1/4 (670)	-

SUMP DATA inches (mm)

Capacity to Overflow gal (litr)	Min. Operating Capacity gal (litr)	WIDTH @ centerline		DEPTH @ centerline	
		Top	Bottom	Top	Bottom
95 (2415)	76 (288)	61 1/4 (1555)	43 1/4 (1100)	26 3/4 (680)	22 3/4 (575)

PLUMBING DIMENSIONS inches (mm)

A	B
6 1/2 (165)	13 1/4 (340)



ELECTRICAL DATA

Component	Specification	Requirement
Pump	1.75 HP; 12 AMP; 110 V	15 AMP; 110V, separate circuit; Class A GFCI
Optional Heater	1.5 kW; 12.5 AMP; 110 V	15 AMP; 110V, separate circuit; Class A GFCI

NOTES:

1) Where applicable, utilize cut-out templates packed with unit for deck cutouts.

2) 16 x 20 (405 x 510) minimum access required at pump/blower location(s).