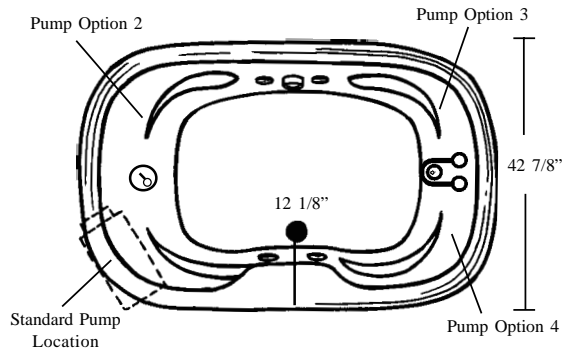


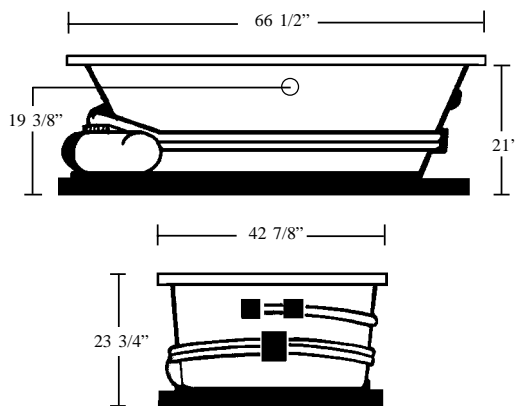
AQUATIC

CANTERBURY

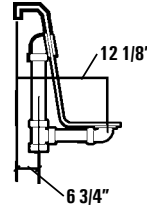
LUXURY SERIES MODEL # AI6644HCN



Two Person Bath



Rough-In Plumbing Measurements



EQUIPMENT LEGEND

- Drain
- Standard Pump Location
- StressEaz Neck and Shoulder Therapy System II
- Rotary Massage Jet
- Full Size Pressure-Flo Hydrotherapy Jet

SPECIFICATIONS:

General Specifications:

Tub Size	66 1/2" x 42 7/8" x 23 3/4"
	169 cm x 109 cm x 60 cm
Bathing Well	42" long
	27" wide
	22 1/2" interior depth
Shipping Weight	220 lbs. / 100 kg
Tub Weight Filled	944 lbs. / 428 kg
Gallons to Overflow	97 gal. / 367 L
Gallons to Operate	1 bather: 78 gal. / 295 L
	2 bathers: 59 gal. / 223 L

Electrical Specifications:

Pump Requirement	1.75 HP; 12 AMP; 110V
	15 AMP; 110V, separate circuit required protected w/ Class A GFCI
Optional Heater Requirement	1.5 kW; 12.5 AMP; 110V
	15 AMP; 110V, separate circuit required protected w/ Class A GFCI

STANDARD EQUIPMENT:

- **8 Hydrotherapy Jets including:**
 - 4 Full Size Pressure-Flo Hydrotherapy Jets
 - 2 Recessed Rotary Massage Jets
 - 2 StressEaz Neck & Shoulder Therapy Jets
- **Aquatic Quality Features:**
 - 1.5 HP Run-Dry Pump with 20-Minute Timer
 - Bath-Side On/Off Electronic Button
 - "Quiet Pad" Anti-Vibration Pump Mount for Quiet Pump Operation
 - 4 Arm Rests
 - Slip Resistant Floor
 - Pre-leveled ABS Support Base
 - Heat-bent Rigid PVC Piping for Optimum Sanitary Conditions
 - Durable, Easy to Clean, Lucite® Cast Acrylic Surface
 - Available in 8 Standard No-Charge Colors
- **UL & IAPMO Listed, Factory Tested**
- **Limited 10 Year Warranty**

OPTIONAL EQUIPMENT:

- Chromatherapy LED Lighting
- Comfort Pillow -- Oval or Rectangle
- Jet Finish
 - Chrome, Polished Brass, Gold, Polished Nickel or Satin Nickel
- Bolt-On Grab Bar
 - Chrome, Polished Brass, Gold, Polished Nickel or Satin Nickel
- 1.5 kW Inline Maintenance Heater
- Lift & Turn Waste and Overflow
 - Chrome, Polished Brass, Gold, Polished Nickel or Satin Nickel
- Cable Drive Waste and Overflow
 - Chrome, Polished Brass, Gold, Polished Nickel, Satin Nickel, or Color Matched (Bone, White & Biscuit Only)
- Hand Held Jet
- Decorative Rim Kit -- Chrome or Polished Brass
- 2 HP, 3-Speed Run-Dry Pump Upgrade
- Optional Pump Location
- Remote Pump Location
- Premium Colors

All acrylic colors featured by Aquatic match the industry's leading fixture manufacturers.

Fax-On-Demand Document # 1030



The manufacturer accepts a 1/4" variance. There are variations on each tub and specifications are subject to change as we improve upon our product as required. The dimensions needed for site preparation and structure building should be measured from the tub; Aquatic Industries, Inc. assumes no responsibility for preparatory work.

www.aquaticwhirlpools.com • 800.555.5324