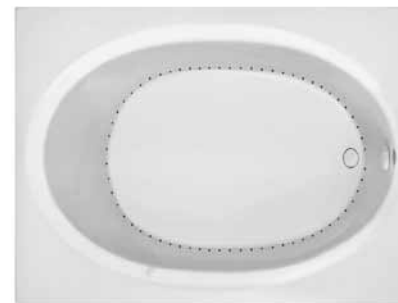
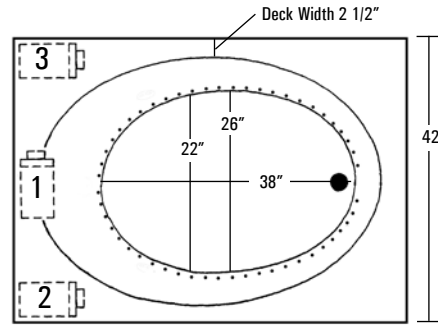
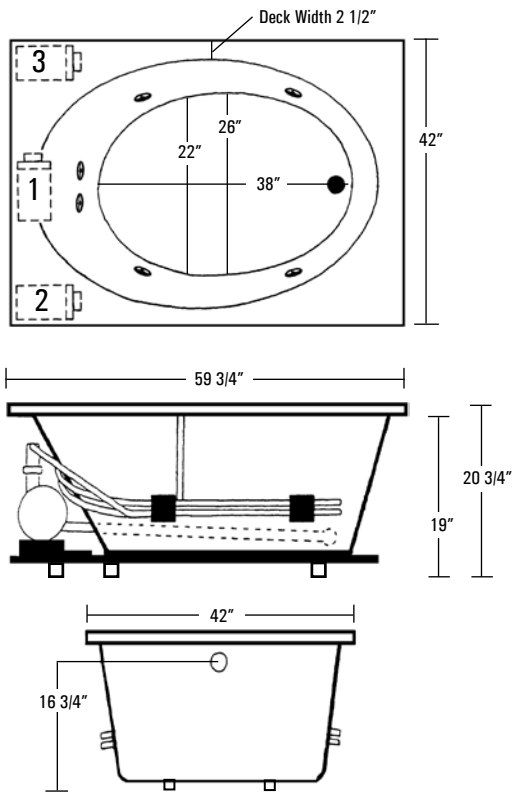


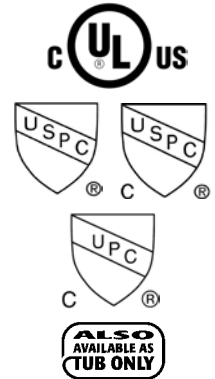
SYMPHONY 6

AQUATIC

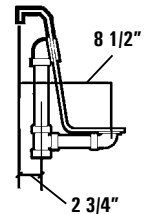
SYMPHONY SERIES MODEL # AI6042SY / AI6042SYAIR / AI6042SYTO (Tub Only)



Symphony 6 with air shown



Rough-In Plumbing Measurements



SPECIFICATIONS:

GENERAL SPECIFICATIONS:

| | |
|---------------------|-------------------------|
| Tub Size | 59 3/4" x 42" x 20 3/4" |
| | 152 cm x 107 cm x 53 cm |
| Bathing Well | 38" long |
| | 26" wide |
| | 18 1/2" interior depth |
| Maximum Water Depth | 12 1/2" |
| Shipping Weight | 153 lbs. / 69 kg |
| Tub Weight Filled | 569 lbs. / 258 kg |
| Tub Only Weight | 111 lbs. / 50 kg |
| Gallons to Overflow | 55 gal. / 208 L |
| Gallons to Operate | 45 gal. / 170 L |

ELECTRICAL SPECIFICATIONS:

| | |
|------------------------------------|---|
| Whirlpool Pump Requirement | .80 HP; 5.6 AMP; 115V 15 AMP; 120V, separate circuit required protected w/ Class A GFCI |
| Optional Heater Requirement | 1.5KW, 12.5 AMP, 110V 15 AMP; 120 V, separate circuit required protected with Class A GFCI |
| Air Bath Blower/Heater Requirement | .80 HP, 5 AMP, 120V 15 AMP; 120V, separate circuit required protected w/ Class A GFCI |

STANDARD EQUIPMENT:

Whirlpool Bath:

- .80 HP Run-Dry Pump
- 2 Spinning Back Jets
- 4 Directional Jets

Air Bath:

- .80 HP Blower
- 300 Watt Air Heating System
- Automatic Purge and Dry Cycle
- Air Channels Lined with Antimicrobial Coatings

Aquatic Quality Features (Air Bath and Whirlpool Bath):

- Bath-Side On/Off Air Button
- "Quiet Pad" Anti-Vibration Pump Mount for Quiet Pump Operation
- Heat-bent Rigid PVC Piping for Optimum Sanitary Conditions
- Color Matched Trim and Jets (Select Colors)
- Slip Resistant Floor
- Durable, Easy to Clean, Lucite® Cast Acrylic Surface
- Available in 8 Standard No-Charge Colors

UL & IAPMO Listed, Factory Tested Limited 10 Year Warranty

OPTIONAL EQUIPMENT:

- Comfort Pillow--Oval or Rectangle
- 1.5 kW Inline Maintenance Heater (Whirlpool Only) (Pump Options 1, 2, 3)
- Lift & Turn Waste and Overflow
 - Chrome, Polished Brass, Gold, Polished Nickel, Satin Nickel or Oil Rubbed Bronze
- Cable Drive Waste and Overflow
 - Chrome, Polished Brass, Gold, Polished Nickel, Satin Nickel, Oil Rubbed Bronze or Color Matched (Bone, White and Biscuit Only)
- Factory Installed Rigid ABS Tile Flange
- Optional Pump or Blower Locations
- Color Matched Acrylic Skirt

All acrylic colors featured by Aquatic match the industry's leading fixture manufacturers.

Fax-On-Demand Document # 1274



Each Symphony Air Bath model is equipped with a 300 watt air heating system to raise the temperature of the air going into the bath. This air temperature will be less than the bathing temperature of the water, but will help to reduce a rapid decrease in water temperature. In addition, the air coming from the air jets will feel cool against the skin, just as a breeze on a warm day cools your body. This system does not heat the water.

The manufacturer accepts a 1/4" variance. There are variations on each tub and specifications are subject to change as we improve upon our product as required. The dimensions needed for site preparation and structure building should be measured from the tub; Aquatic Industries, Inc. assumes no responsibility for preparatory work. www.whirlpoolbath.net 800-894-1022