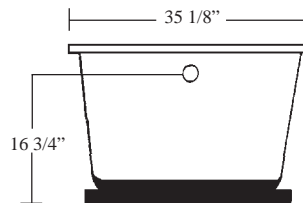
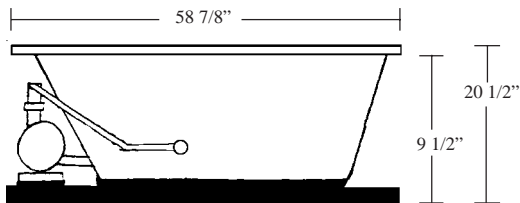
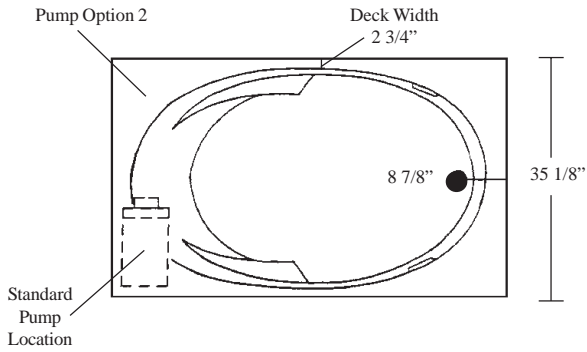
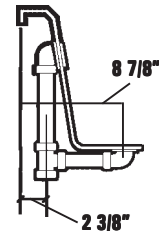


HOTSOAK 79

HOTSOAK SERIES MODEL # AI6036SVHS



Rough-In Plumbing Measurements



SPECIFICATIONS:

General Specifications:

Tub Size	58 7/8" x 35 1/8" x 20 1/2"
	150 cm x 89 cm x 52 cm
Bathing Well	42" long
	23 1/2" wide
	19 1/2" interior depth
Shipping Weight	171 lbs. / 78 kg
Tub Weight Filled	617 lbs. / 280 kg
Tub Only Weight	136 lbs. / 62 kg
Gallons to Overflow	63 gal. / 2389 L

Electrical Specifications:

Pump	1/15 HP; 1.3 AMP; 110V
Heater	1.5 kW; 12.5 AMP; 110V
Requirements	20 AMP; 110V, separate circuit required protected w/ Class A GFCI

STANDARD EQUIPMENT:

- **Aquatic Quality Features:**
- 1.5 kW Inline Maintenance Heater
- Run-Dry Pump with 20-Minute Timer
- 2 Circulation Portal Covers
- Bath-Side On/Off Electronic Button
- "QuietPad" Anti-Vibration Pump Mount for QuietPad Operation
- Slip Resistant Floor
- 2 Arm Rests
- Extra Deep and Long Bathing Well
- Pre-leveled ABS Support Base
- Heat-bent Rigid PVC Piping for Optimum Sanitary Conditions
- Durable, Easy to Clean, Lucite® Cast Acrylic Surface
- Available in 8 Standard No-Charge Colors
- **UL & IAPMO Listed, Factory Tested**
- **Limited Lifetime Warranty**

OPTIONAL EQUIPMENT:

- Comfort Pillow -- Oval or Rectangle
- Bolt-On Grab Bar Finish
 - White, Biscuit, Chrome, Polished Brass, Gold, Polished Nickel, Satin Nickel or Oil Rubbed Bronze
- Lift & Turn Waste and Overflow
 - Chrome, Polished Brass, Gold, Polished Nickel, Satin Nickel or Oil Rubbed Bronze
- Cable Drive Waste and Overflow
 - Chrome, Polished Brass, Gold, Polished Nickel, Satin Nickel, Oil Rubbed Bronze or Color Matched (Bone, White & Biscuit Only)
- Factory Installed Rigid ABS Tile Flange
- Decorative Rim Kit -- Chrome or Polished Brass
- Optional Pump Location
- Color Matched Acrylic Skirt
- Premium Colors

All acrylic colors featured by Aquatic match the industry's leading fixture manufacturers.

Fax-On-Demand Document # 1254



The manufacturer accepts a 1/4" variance. There are variations on each tub and specifications are subject to change as we improve upon our product as required. The dimensions needed for site preparation and structure building should be measured from the tub; Aquatic Industries, Inc. assumes no responsibility for preparatory work.

www.aquaticwhirlpools.com • 800.555.5324