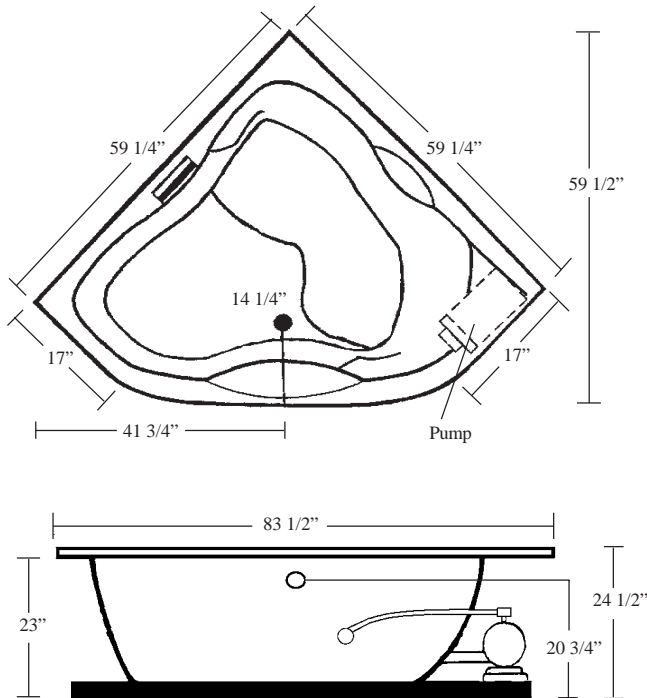


HOTSOAK 65

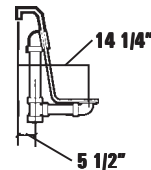
HOTSOAK SERIES MODEL # AI6AIR6060HS



 Two Person Bath



Rough-In Plumbing Measurements



SPECIFICATIONS:

General Specifications:

Tub Size	59 1/4" x 59 1/4" x 24 1/2" 150 cm x 150 cm x 62 cm
Bathing Well	Lounge 1, 48" long Lounge 1, 20" wide Lounge 2, 40" long Lounge 2, 17" wide 22 3/4" interior depth
Shipping Weight	236 lbs. / 107 kg
Tub Weight Filled	881 lbs. / 400 kg
Tub Only Weight	136 lbs. / 62 kg
Gallons to Overflow	90 gal. / 341 L

Electrical Specifications:

Pump	1/15 HP; 1.3 AMP; 110V
Heater	1.5 kW; 12.5 AMP; 110V
Requirements	20 AMP; 110V, separate circuit required protected w/ Class A GFCI

*This unit is not recommended
for shower installations.*

STANDARD EQUIPMENT:

- **Aquatic Quality Features:**
- 1.5 kW Inline Maintenance Heater
- Run-Dry Pump with 20-Minute Timer
- 2 Circulation Portal Covers
- Bath-Side On/Off Electronic Button
- "Quiet Pad" Anti-Vibration Pump Mount for Quiet Pad Operation
- Raised Seat
- Slip Resistant Floor
- 2 Arm Rests
- Extra Deep and Long Bathing Well
- Pre-leveled ABS Support Base
- Acrylic Grab Bar
- Heat-bent Rigid PVC Piping for Optimum Sanitary Conditions
- Durable, Easy to Clean, Lucite® Cast Acrylic Surface
- Available in 8 Standard No-Charge Colors
- **UL & IAPMO Listed, Factory Tested**
- **Limited Lifetime Warranty**

OPTIONAL EQUIPMENT:

- Comfort Pillow -- Oval or Rectangle
 - Grab Bar Finish
-- White, Biscuit, Chrome, Polished Brass, Gold, Polished Nickel, Satin Nickel or Oil Rubbed Bronze
 - Lift & Turn Waste and Overflow
-- Chrome, Polished Brass, Gold, Polished Nickel, Satin Nickel or Oil Rubbed Bronze
 - Cable Drive Waste and Overflow
-- Chrome, Polished Brass, Gold, Polished Nickel, Satin Nickel, Oil Rubbed Bronze or Color Matched (Bone, White & Biscuit Only)
 - Factory Installed Rigid ABS Tile Flange
 - Decorative Rim Kit -- Chrome or Polished Brass
 - Color Matched Curved Acrylic Skirt
 - Premium Colors
- All acrylic colors featured by Aquatic match the industry's leading fixture manufacturers.*

**Fax-On-Demand
Document # 1240**



The manufacturer accepts a 1/4" variance. There are variations on each tub and specifications are subject to change as we improve upon our product as required. The dimensions needed for site preparation and structure building should be measured from the tub; Aquatic Industries, Inc. assumes no responsibility for preparatory work.

www.aquaticwhirlpools.com • 800.555.5324