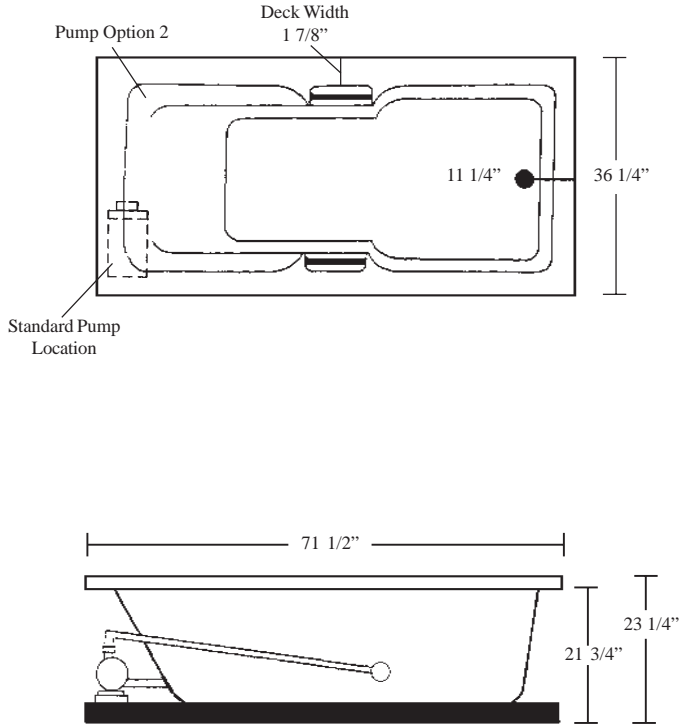


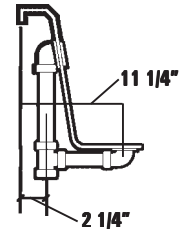
# HOTSOAK 51

**HOTSOAK SERIES MODEL # AI7236RHS**



CAN BE USED IN AN UNDERMOUNT APPLICATION

### Rough-In Plumbing Measurements



## SPECIFICATIONS:

### General Specifications:

Tub Size	71 1/2" x 36 1/4" x 23 1/4"
	182 cm x 92 cm x 59 cm
Bathing Well	48 1/2" long
	24" wide
	21 3/4" interior depth
Shipping Weight	209 lbs. / 95 kg
Tub Weight Filled	868 lbs. / 394 kg
Tub Only Weight	126 lbs. / 57 kg
Gallons to Overflow	90 gal. / 341 L

### Electrical Specifications:

Pump	1/15 HP; 1.3 AMP; 110V
Heater	1.5 kW; 12.5 AMP; 110V
Requirements	20 AMP; 110V, separate circuit required protected w/ Class A GFCI

### STANDARD EQUIPMENT:

- **Aquatic Quality Features:**
- 1.5 kW Inline Maintenance Heater
- Run-Dry Pump with 20-Minute Timer
- 2 Circulation Portal Covers
- Bath-Side On/Off Electronic Button
- "Quiet Pad" Anti-Vibration Pump Mount for Quiet Pump Operation
- 2 Acrylic Grab Bars
- 2 Arm Rests
- Slip Resistant Floor
- Pre-levleed ABS Support Base
- Heat-bent Rigid PVC Piping for Optimum Sanitary Conditions
- Durable, Easy to Clean, Lucite® Cast Acrylic Surface
- Available in 8 Standard No-Charge Colors
- **UL & IAPMO Listed, Factory Tested**
- **Limited Lifetime Warranty**

### OPTIONAL EQUIPMENT:

- Comfort Pillow - Oval or Rectangle
- Grab Bar Finish
  - White, Biscuit, Chrome, Polished Brass, Gold, Polished Nickel, Satin Nickel or Oil Rubbed Bronze
- Lift & Turn Waste and Overflow
  - Chrome, Polished Brass, Gold, Polished Nickel, Satin Nickel or Oil Rubbed Bronze
- Cable Drive Waste and Overflow
  - Chrome, Polished Brass, Gold, Polished Nickel, Satin Nickel, Oil Rubbed Bronze or Color Matched (Bone, White & Biscuit Only)
- Factory Installed Rigid ABS Tile Flange
- Decorative Rim Kit - Chrome or Polished Brass
- Optional Pump Location
- Color Matched Acrylic Skirt
- Premium Colors

*All acrylic colors featured by Aquatic match the*

**Fax-On-Demand Document #1226**



The manufacturer accepts a 1/4" variance. There are variations on each tub and specifications are subject to change as we improve upon our product as required. The dimensions needed for site preparation and structure building should be measured from the tub; Aquatic Industries, Inc. assumes no responsibility for preparatory work.