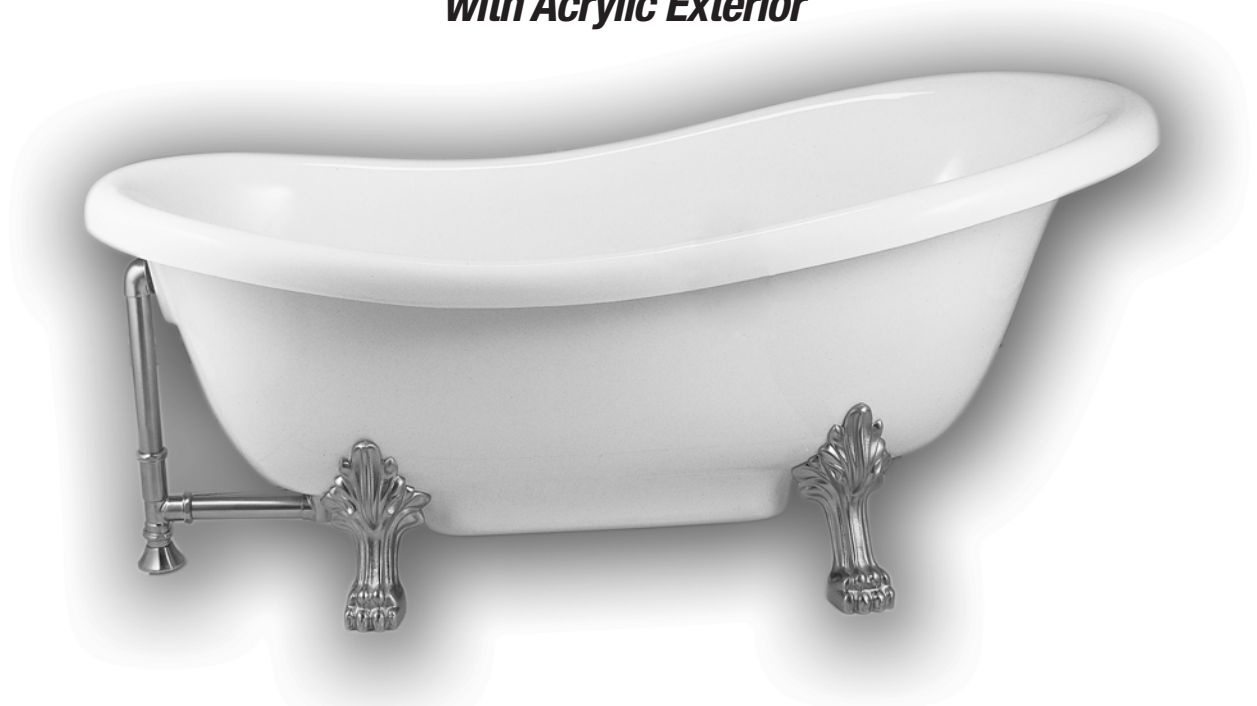
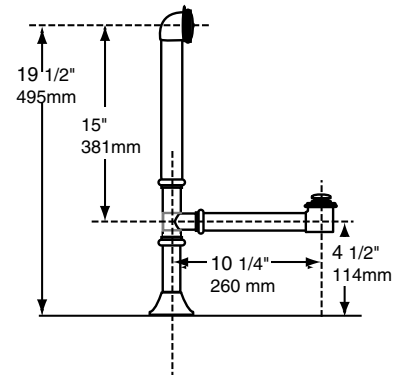
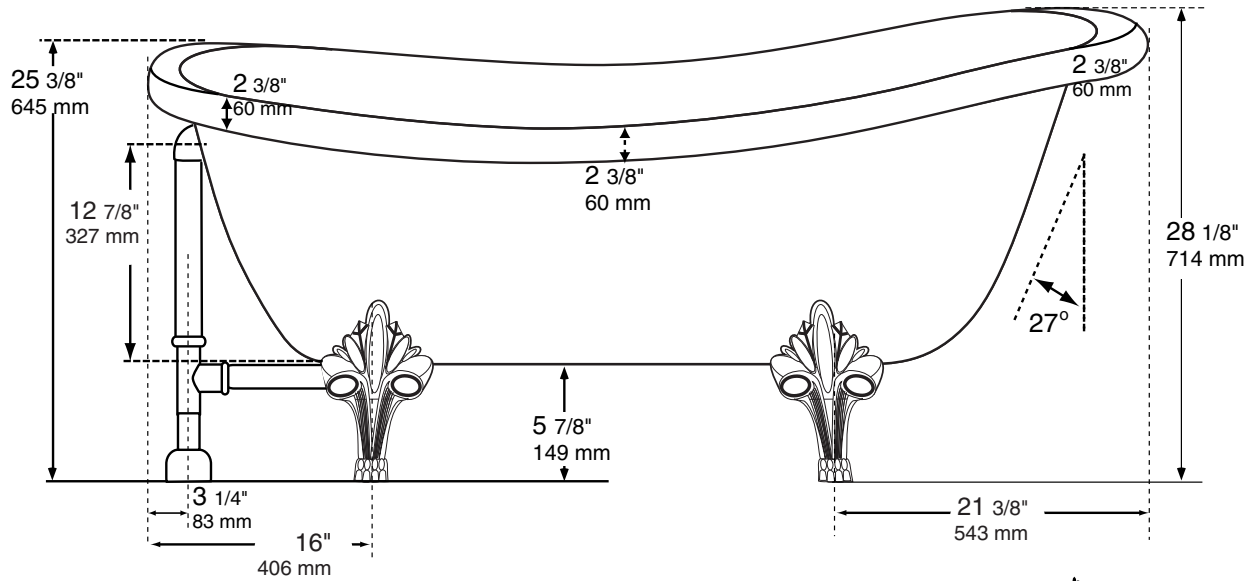
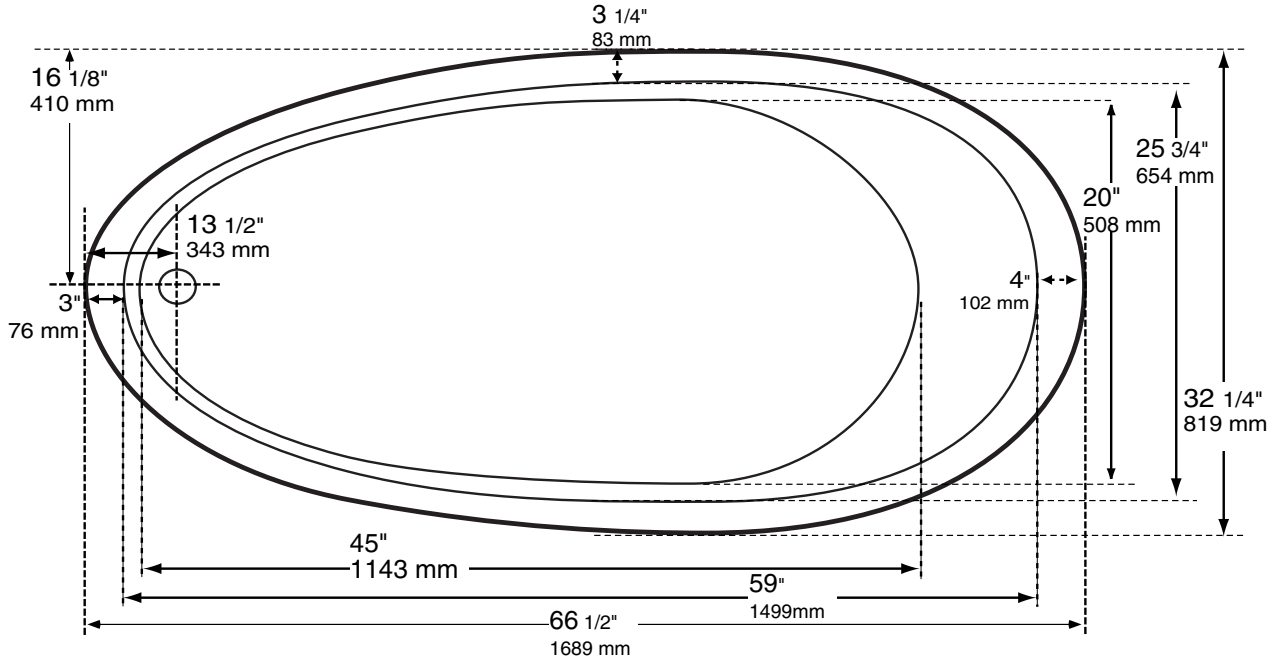




***Virginia***  
***Soaker & Aquamasseur***  
***with Acrylic Exterior***



# Virginia soaker



*NOTE: Bath rim is not flat and dimensions are for reference only.*

*Allow a tolerance of + or - 1/4"*

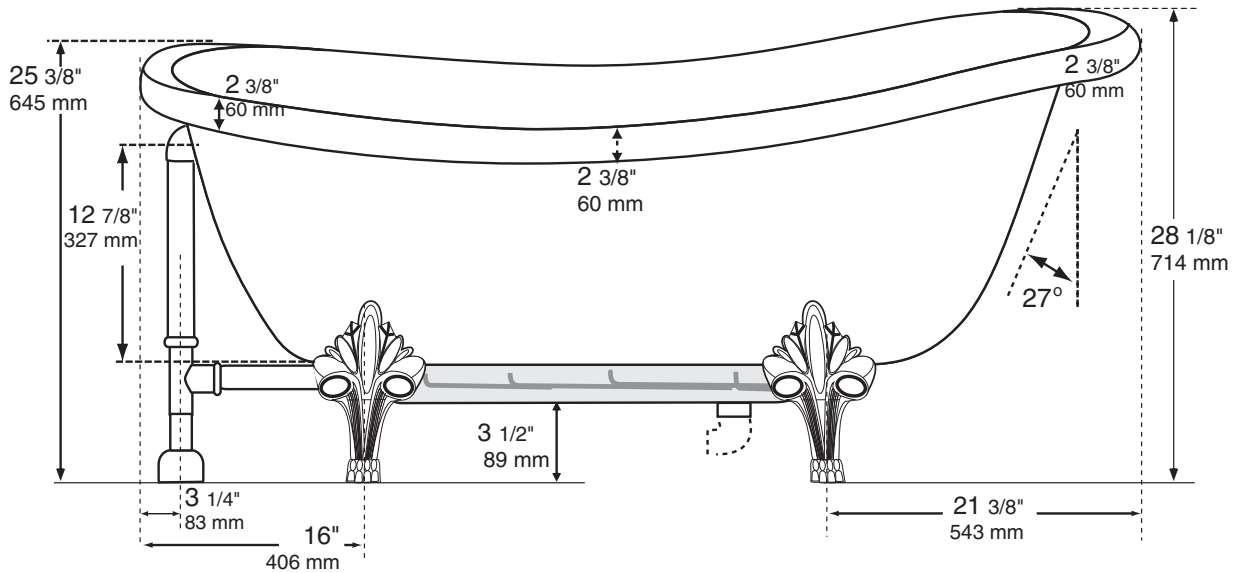
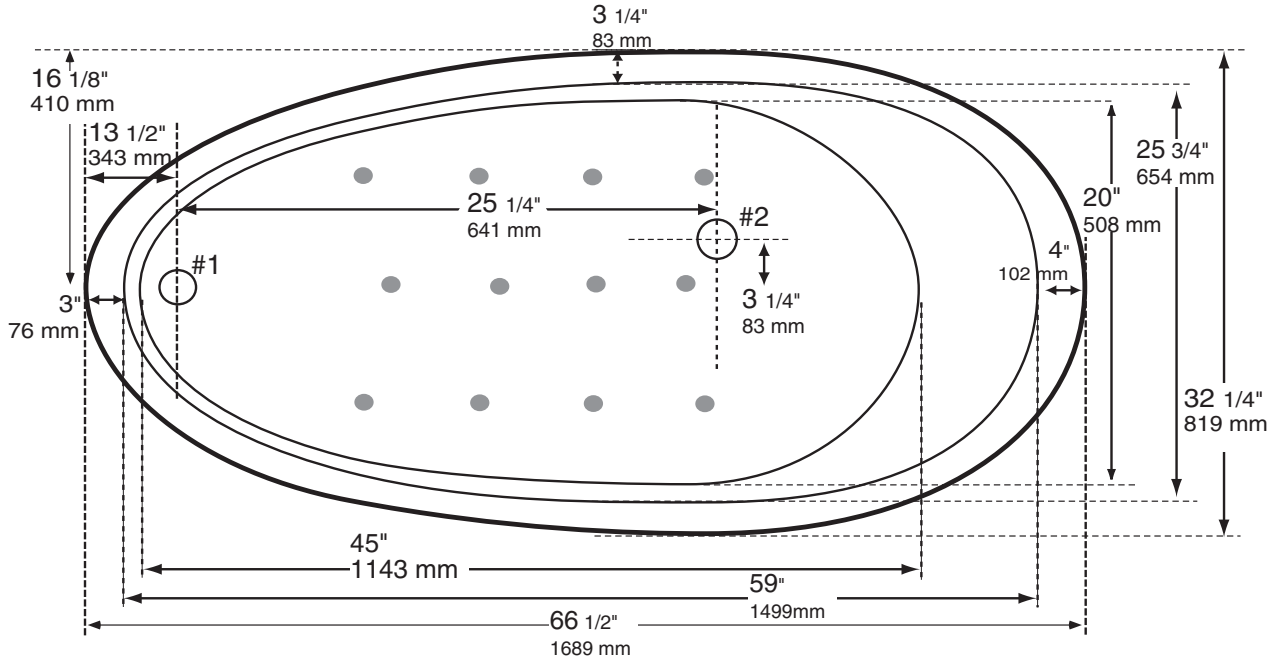
*All published dimensions are for reference only. Any critical dimensions required for installation should be taken directly from the bath being installed.*

**September 2007**

# Virginia

## aquamasseur

#1 Drain Outlet  
 #2 Air Inlet

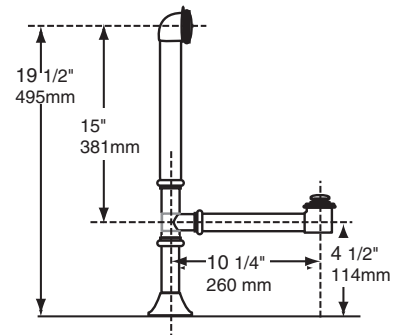


*NOTE: Bath rim is not flat and dimensions are for reference only.*

*Allow a tolerance of + or - 1/4"*

*All published dimensions are for reference only. Any critical dimensions required for installation should be taken directly from the bath being installed.*

September 2007



# Virginia clawfoot tub

## Technical Specification

### Available Configurations

### Model Statistics

<ul style="list-style-type: none"> <li>▶ Soaking Bath</li> <li>▶ Aquamasseur System Bath - 12 injectors</li> </ul>	<p>Number of gallons 3 inches from overflow: 43 US gallons          36 imperial gallons</p> <p>Smooth Acrylic Exterior Surface          White, Chrome, Satin Nickel, Gold or Oil Rubbed Bronze feet</p> <p>Number of headrests: 1          Lumbar support: 1          Water depth to bottom of overflow: 11 5/8"          Number of bathers: maximum of 1</p>
--	---

Meets the requirements of:

ANSI Z124.1 (1995), ANSI Z124.2 (1995) / CSA B45.5-02, CSA B45.0-02  
 UL1795 Third Edition, Rev. Sept.2006 / CSA C22.2 No.218.2-93 (R2004)  
 ASME A112.19.7

### CHOICES COMMON TO ALL CONFIGURATIONS:

- ▶ Standard Colors: White, Biscuit or Bone.
- ▶ Optional Colors: Consult factory for availability.
- ▶ Drain & Overflow (optional).

## SYSTEM BATH CHOICE

### Choices Applicable To System

- 1 hp blower with heating element and muffler. →
- Hartford Loop with Check Valve →

Aquamasseur requires one 15 AMP 120 V circuit protected by GFI

Multifunction electronic control with white touchpad and white trim ring or biscuit touchpad and biscuit trim ring.

- on/off blower control -
- on/off heating element control -
- 20 minute bath timer -
- indicator lights -
- variable speed control -
- wave or pulse mode control -
- auto dry cycle -
- 24hr programmable purge cycle -

### Options Applicable

- Optional Trim Ring on White Touchpad →
- Brass, Brushed Nickel or Chrome -

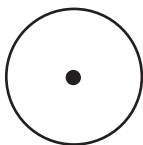
### Aquamasseur Injector Choices

#### Standard Cap

White, Biscuit or Bone  
 Actual Diameter - 15/16"

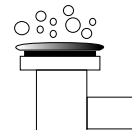
#### Optional Mini Injectors

12 center cap and trim ring choices  
 Actual Diameter - 5/8"



### Aquamasseur

The aquamasseur system delivers a massage range from tactile / fingertip to intermediate tissue massage. A series of air injectors are placed throughout the bath well having no more than three injectors in a series connected to 8 distinct air hoses that are fed by a pressure balancing manifold. The engine-ring of the air pressure delivery system allows us to deliver a very low to intermediate volume of air allowing for both a tactile sensory massage as well as a light tissue massage. Our injectors are placed to follow the meridians of the central nervous system so that the massage created stimulates circulatory blood flow.



INJECTOR VALVE

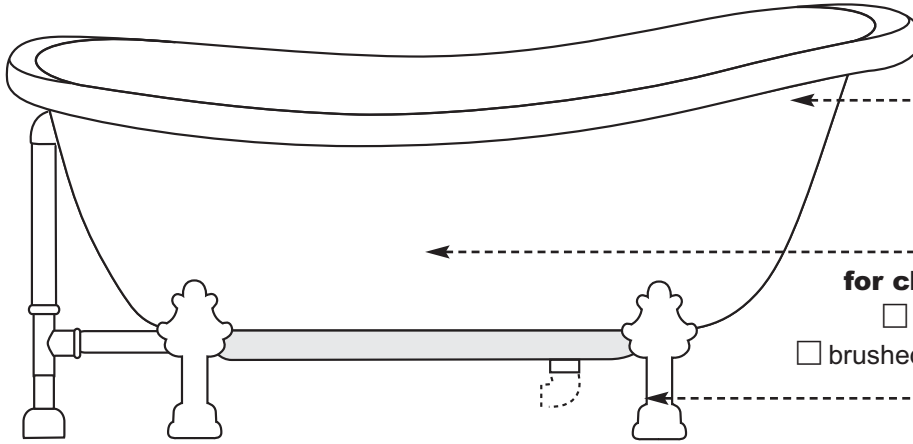
# Virginia

## STANDARD POSITIONING

P.O.# \_\_\_\_\_

Quantity: \_\_\_\_\_

Cust. ref.# \_\_\_\_\_



----- This clawfoot tub comes with a smooth interior and exterior acrylic surface

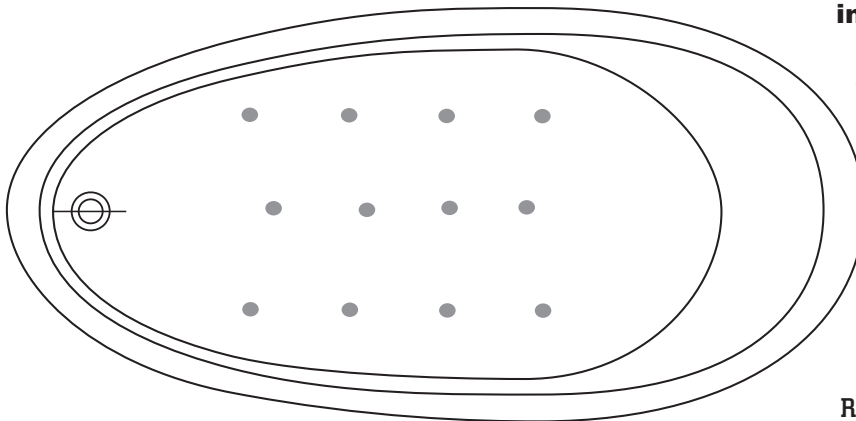
**Waste & overflow for clawfoot bath (optional):**

- chrome,  polished brass
- brushed nickel, oil rubbed bronze

**Color of feet:**

- white,  chrome
- satin nickel,  gold
- oil rubbed bronze

### AQUAMASSEUR



**included with system bath:**

- 1 blower with heating element,
- 1 hardfort loop with 3' extension
- 1 multi function keypad with 5' wire



REMOTE MOUNT ONLY

OPTIONS & POSITIONING CHOICES	
<b>Color of bath</b>	<input type="checkbox"/> white, <input type="checkbox"/> biscuit, <input type="checkbox"/> bone, <input type="checkbox"/> other (subject to surcharge): _____ (specify color)
	<b>System:</b> <input type="checkbox"/> He <b>N/A</b> <input type="checkbox"/> Aquamasseur, <input type="checkbox"/> Ultima <b>N/A</b> <input type="checkbox"/> Soaker (without system)
	<b>Multi-Function control:</b> For alternate location indicate desired location <b>REMOTE MOUNT ONLY</b> Select trim color: <input type="checkbox"/> white, <input type="checkbox"/> biscuit, <input type="checkbox"/> chrome, <input type="checkbox"/> nickel, <input type="checkbox"/> gold
	<b>Injectors:</b> select type <input type="checkbox"/> standard, color: _____ (specify color) or <input type="checkbox"/> mini injectors, center color: _____ (color) / trim cap color: _____ (color)
	<b>Blower relocation kit (12')</b> (optional): <input type="checkbox"/> 1 or <input type="checkbox"/> <b>N/A</b>

SYMBOL CHART			
	Indicates location of blower		Indicates location of drain
	Indicates location of bottom injectors		Indicates location of wall injectors

Final approval: \_\_\_\_\_ (signature) Printed name: \_\_\_\_\_ Date: (dd-mm-yy)