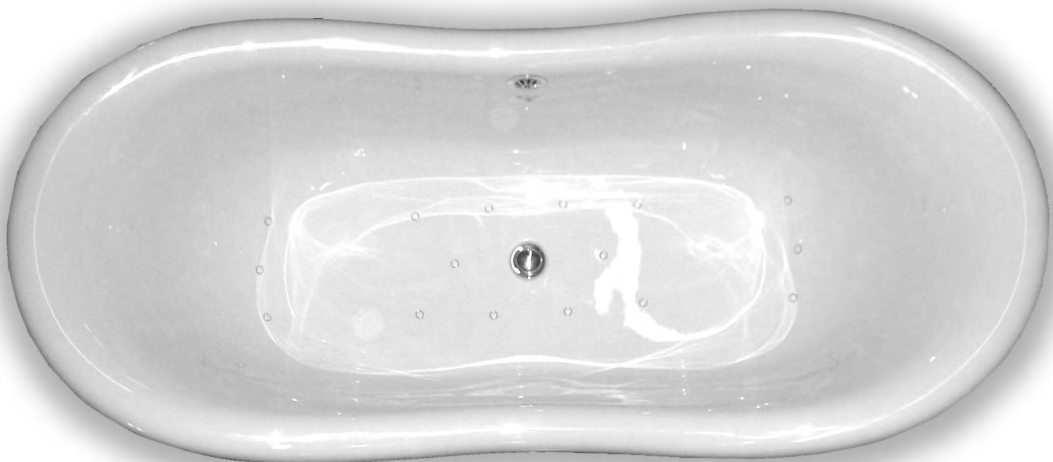


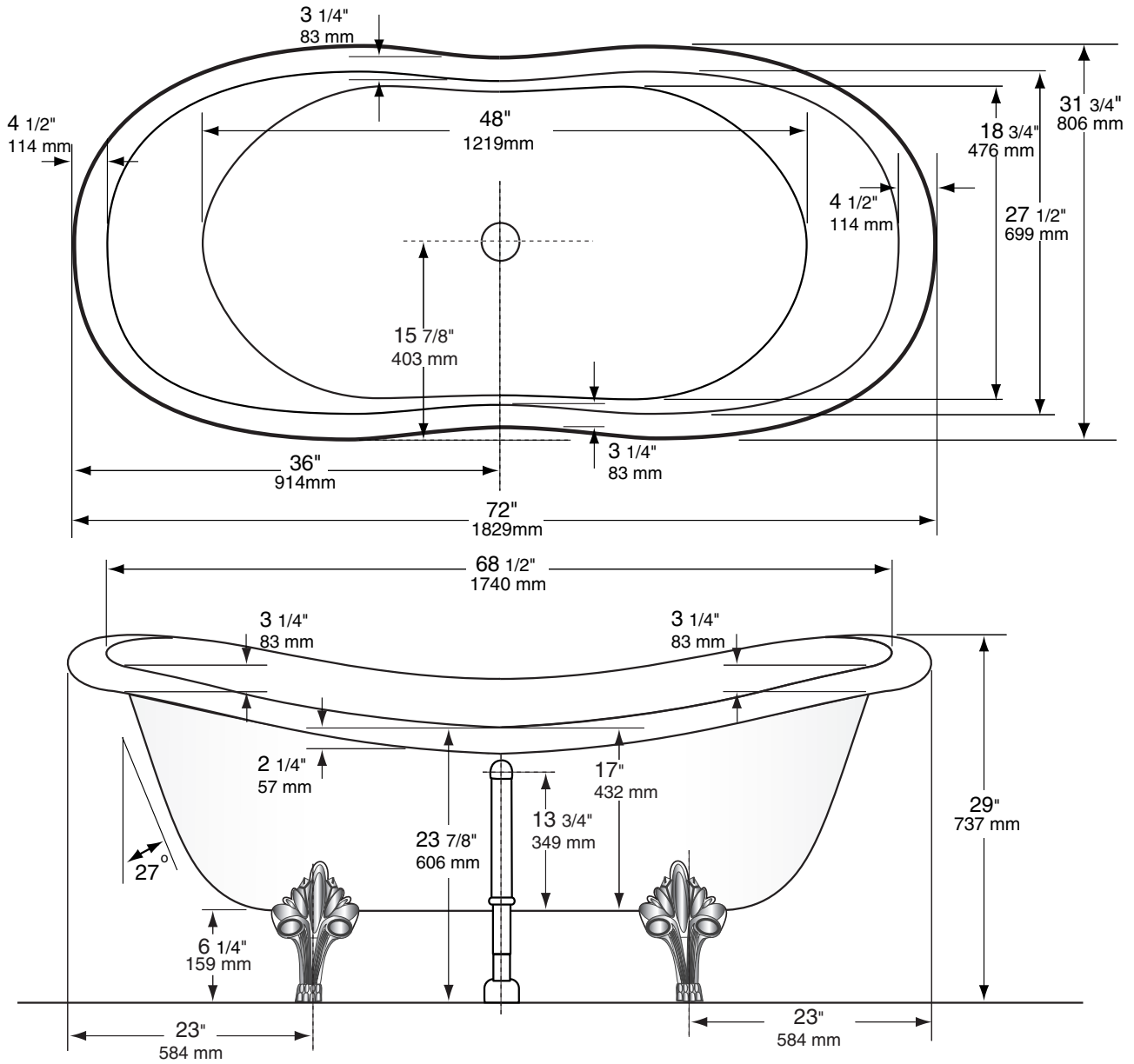


Julius

***Available as a Soaker or Aquamasseur System bath
with Acrylic Exterior***



Julius soaker

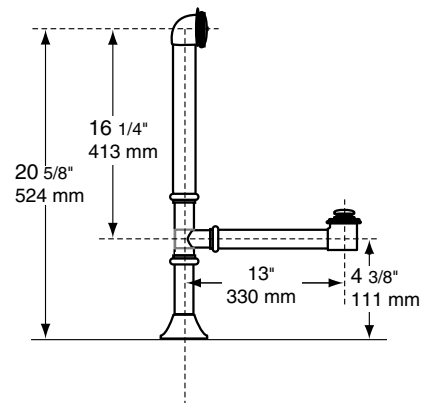


NOTE: Bath rim is not flat and dimensions are for reference only.

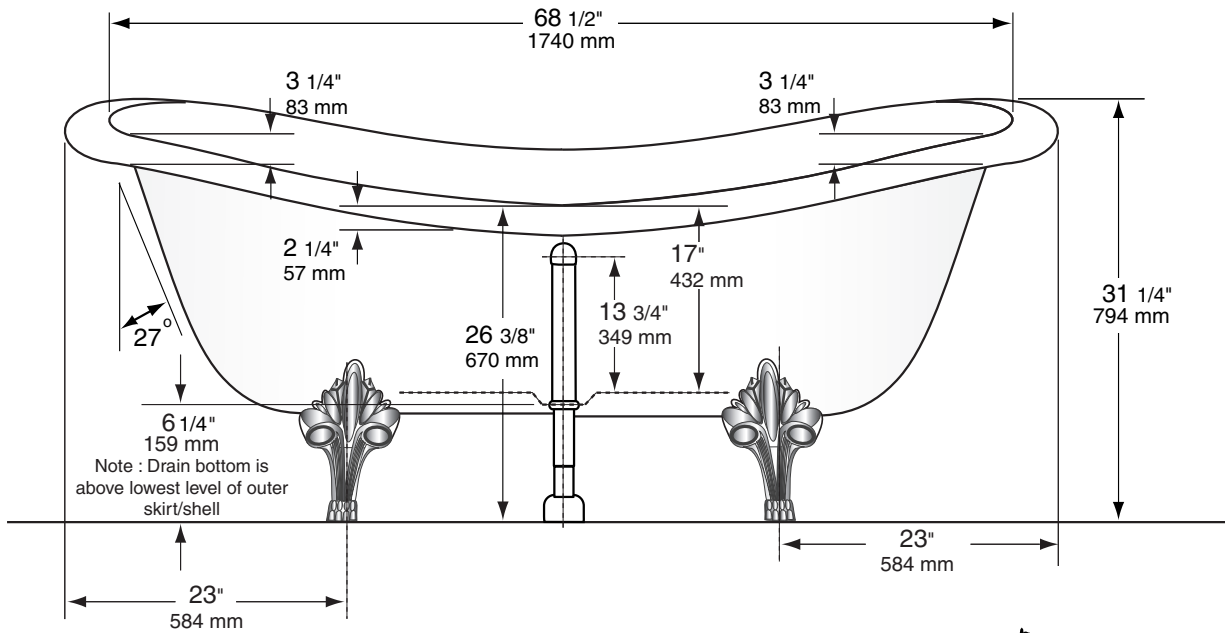
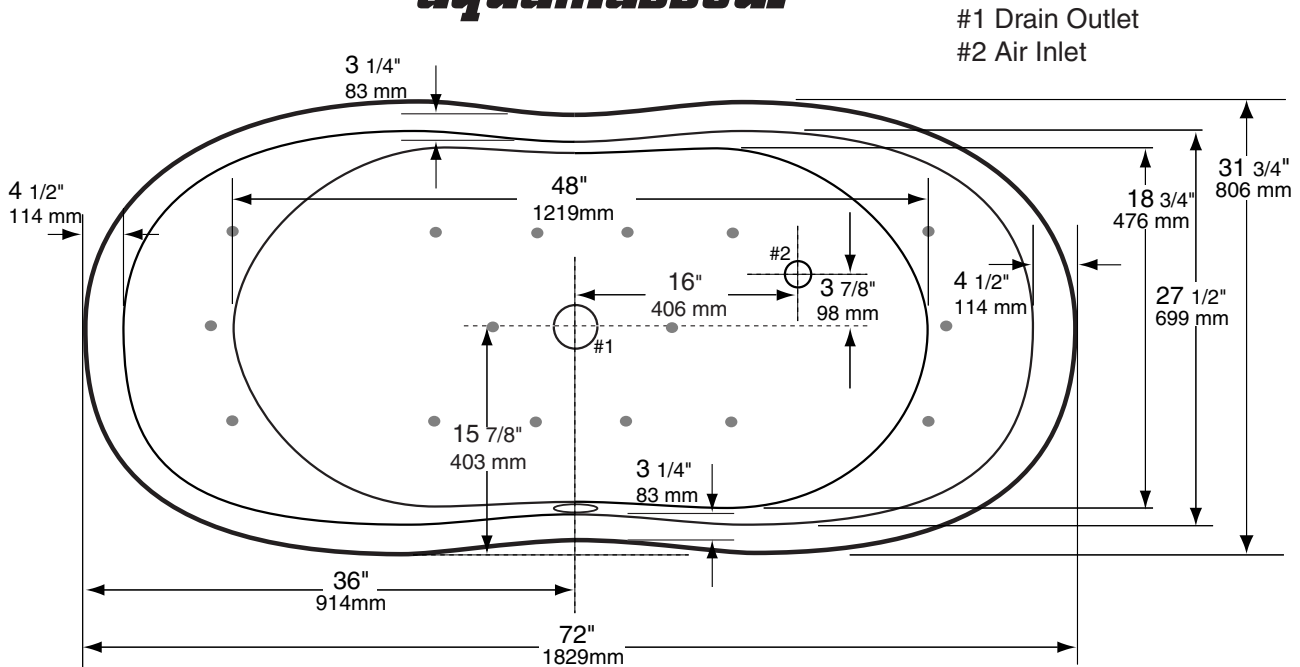
Allow a tolerance of + or - 1/4"

All published dimensions are for reference only. Any critical dimension required for installation should be taken directly from the bath being installed.

September 2007



Julius aquamasseur

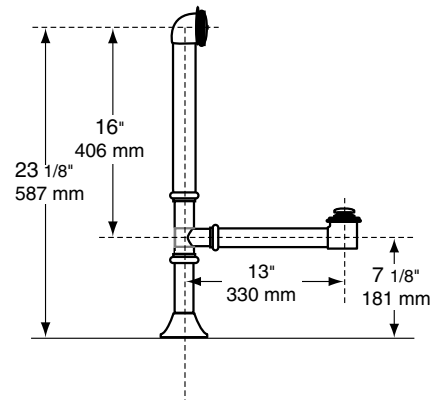


NOTE: Bath rim is not flat and dimensions are for reference only.

Allow a tolerance of + or - 1/4"

All published dimensions are for reference only. Any critical dimension required for installation should be taken directly from the bath being installed.

September 2007



Julius

clawfoot tub

Technical Specification

Available Configurations

- ▶ Soaking Bath
- ▶ Aquamasseur System Bath - 16 injectors

Model Statistics

Number of gallons 3 inches from overflow:	48 US gallons 40 imperial gallons
Smooth Acrylic Exterior Surface	
White, Chrome, Satin Nickel, Gold or Oil Rubbed Bronze feet	
Number of headrests:	2
Lumbar support:	2
Water depth to bottom of overflow:	12 1/2"
Number of bathers:	maximum of 2

Meets the requirements of:

ANSI Z124.1 (1995), ANSI Z124.2 (1995) / CSA B45.5-02, CSA B45.0-02
 UL1795 Third Edition, Rev. Sept.2006 / CSA C22.2 No.218.2-93 (R2004)
 ASME A112.19.7

CHOICES COMMON TO ALL CONFIGURATIONS:

- ▶ Standard Colors: White, Biscuit or Bone.
- ▶ Optional Colors: Consult factory for availability.
- ▶ Drain & Overflow (optional).

SYSTEM BATH CHOICE

Choices Applicable To System

- 1 hp blower with heating element and muffler. →
- Hartford Loop with Check Valve

Aquamasseur requires one 15 AMP 120 V circuit protected by GFI

Multifunction electronic control with white touchpad and white trim ring or biscuit touchpad and biscuit trim ring.

- on/off blower control -
- on/off heating element control -
- 20 minute bath timer -
- indicator lights -
- variable speed control -
- wave or pulse mode control -
- auto dry cycle -
- 24hr programmable purge cycle -

Options Applicable

- Optional Trim Ring on White Touchpad →
- Brass, Brushed Nickel or Chrome -

Aquamasseur Injector Choices

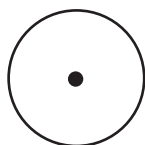
Standard Cap
 White, Biscuit or Bone

Actual Diameter - 15/16"

Optional Mini Injectors

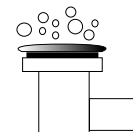
16 center cap and trim ring choices

Actual Diameter - 5/8"



Aquamasseur

The aquamasseur system delivers a massage range from tactile / fingertip to intermediate tissue massage. A series of air injectors are placed throughout the bath well having no more than three injectors in a series connected to 8 distinct air hoses that are fed by a pressure balancing manifold. The engine-ring of the air pressure delivery system allows us to deliver a very low to intermediate volume of air allowing for both a tactile sensory massage as well as a light tissue massage. Our injectors are placed to follow the meridians of the central nervous system so that the massage created stimulates circulatory blood flow.



INJECTOR VALVE

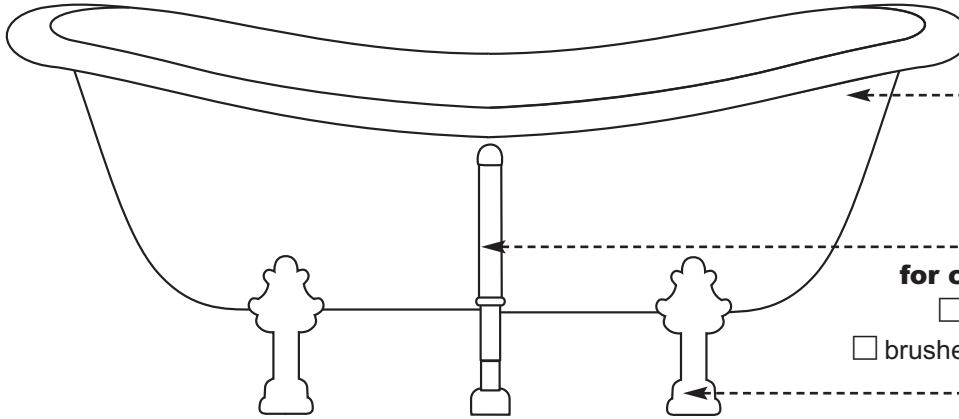
Julius

STANDARD POSITIONING

P.O.# _____

Quantity: _____

Cust. ref.# _____



..... This clawfoot tub comes with a smooth interior and exterior acrylic surface

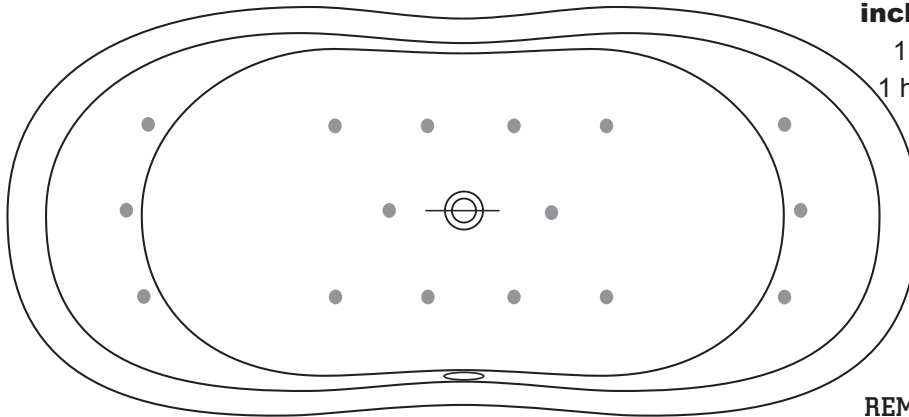
Waste & overflow for clawfoot bath (optional):

- chrome, polished brass
- brushed nickel, oil rubbed bronze

Color of feet:

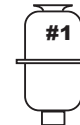
- white, chrome
- satin nickel, gold
- oil rubbed bronze

AQUAMASSEUR



included with system bath:

- 1 blower with heating element,
- 1 hardfort loop with 3' extension
- 1 multi function keypad with 5' wire



REMOTE MOUNT ONLY

OPTIONS & POSITIONING CHOICES	
Color of bath	<input type="checkbox"/> white, <input type="checkbox"/> biscuit, <input type="checkbox"/> bone, <input type="checkbox"/> other (subject to surcharge): _____ (specify color)
	System: <input type="checkbox"/> Heated N/A <input type="checkbox"/> Aquamasseur, <input type="checkbox"/> Ultimate N/A <input type="checkbox"/> Soaker (without system)
	Multi-Function control: For alternate location indicate desired location. REMOTE MOUNT ONLY Select trim color: <input type="checkbox"/> white, <input type="checkbox"/> biscuit, <input type="checkbox"/> chrome, <input type="checkbox"/> nickel, <input type="checkbox"/> gold
	Injectors: select type <input type="checkbox"/> standard, color: _____ (specify color) or <input type="checkbox"/> mini injectors, center color: _____ (color) / trim cap color: _____ (color)
	Blower relocation kit (12') (optional): <input type="checkbox"/> 1 or <input type="checkbox"/> N/A

SYMBOL CHART	
	Indicates location of blower
	Indicates location of bottom injectors
	Indicates location of drain
	Indicates location of wall injectors

Final approval: _____ (signature) Printed name: _____ Date: (dd-mm-yy)