

B3-3700 Winston



American Bath Factory
DECADES OF DEPENDABILITY

SPECIFICATION SHEET

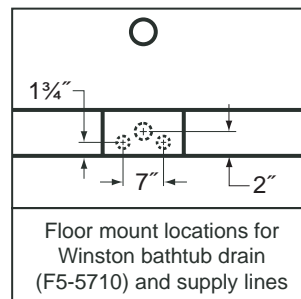
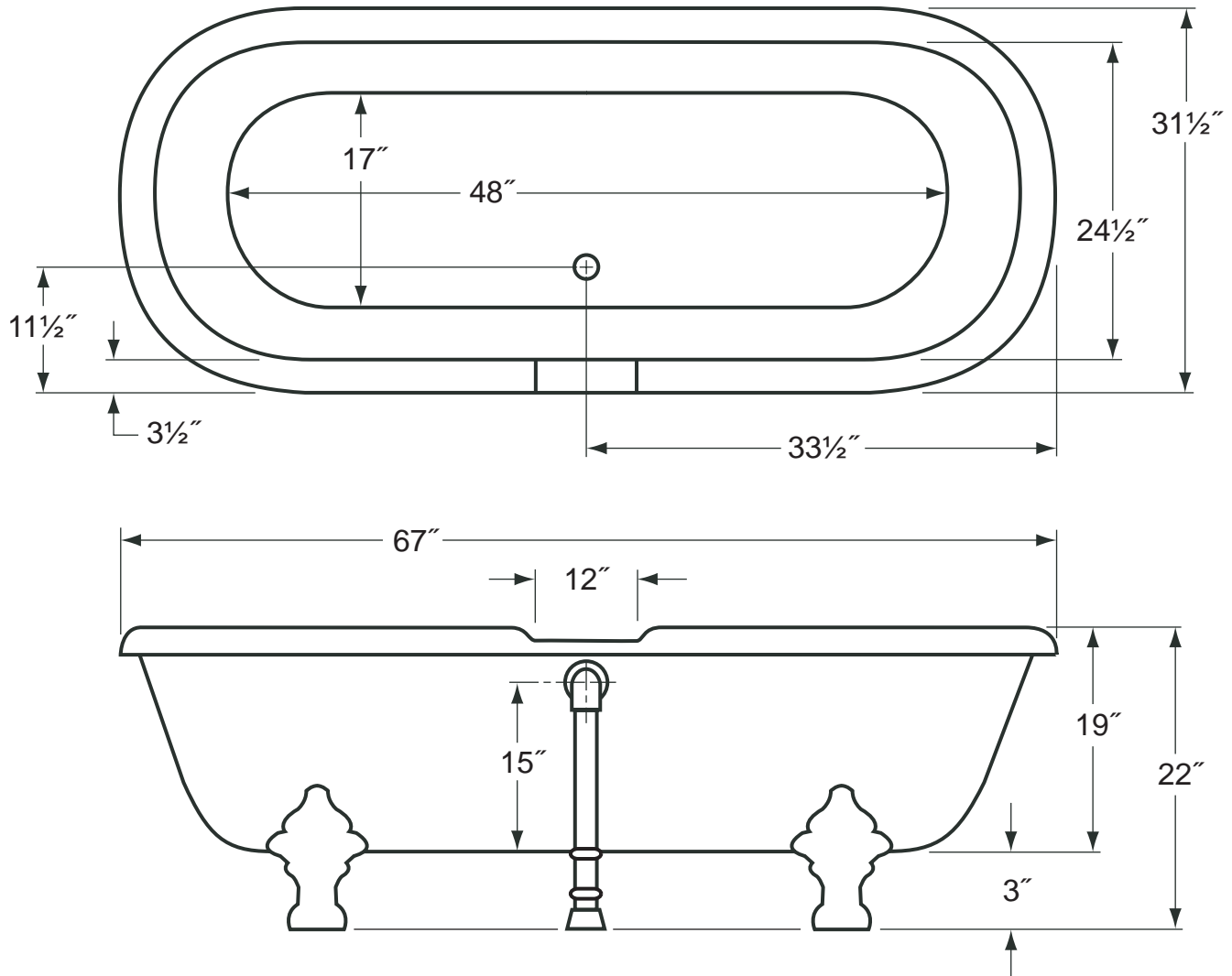
Cast Iron Double Ended Clawfoot Bathtub

Overall Dimensions: 67" L x 31½" W x 22" H

Capacity: 48 Gallons

Weight: Dry wt. = 335 lbs.

Full wt. = 735 lbs.



- The illustration above is shown with the standard F5-5710 Waste & Overflow. See individual specification sheets for other waste & overflow models.
- Dimensions shown have a tolerance of $\pm \frac{1}{2}$ ".
Dimensions shown not to scale.
- See Clawfoot Guide for detailed installation instructions.