

B1-3700 Madeline



American Bath Factory
DECADES OF DEPENDABILITY

SPECIFICATION SHEET

Double Ended Clawfoot Bathtub

Overall Dimensions: 70" L x 32" W x 23½" H

Capacity: 48 Gallons

Weight: Without Champagne:

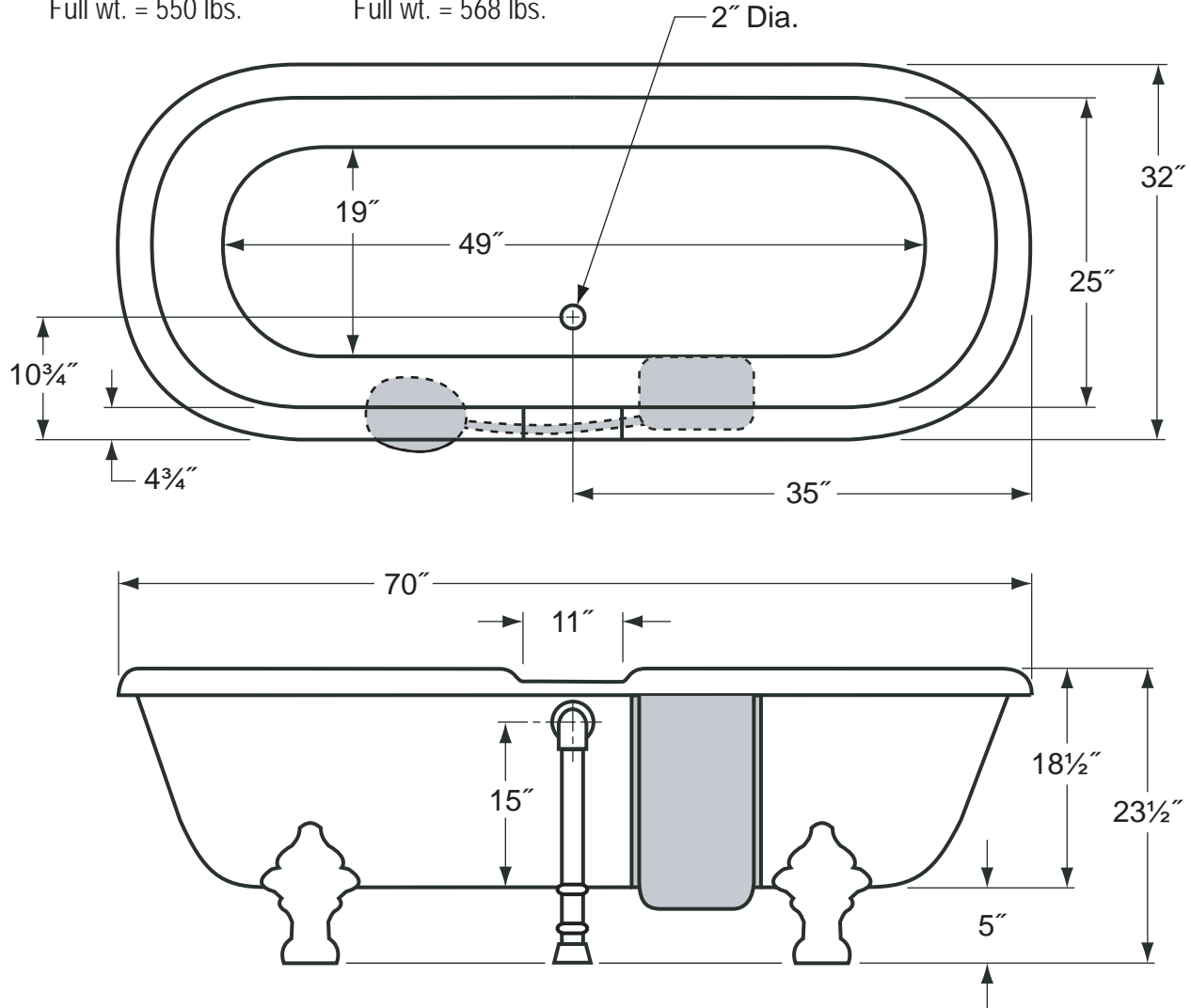
Dry wt. = 150 lbs.

Full wt. = 550 lbs.

With Champagne:

Dry wt. = 168 lbs.

Full wt. = 568 lbs.



- Shaded areas only included on models with Champagne Massage®.
- Champagne Massage® blower unit (12"L x 7"W x 10"H) is connected with a three foot adjustable hose and fits within the overall dimensions of the bathtub.
- The illustration above is shown with the standard F5-5710 Waste & Overflow. See individual specification sheets for other waste & overflow models.
- Dimensions shown have a tolerance of $\pm \frac{1}{2}$ ".
Dimensions shown not to scale.
- See Clawfoot Guide for detailed installation instructions.

