

# B1-4720 Earl



**American Bath Factory**  
DECADES OF DEPENDABILITY

## SPECIFICATION SHEET

### Double Ended Specialty Bathtub

**Overall Dimensions:** 72" L x 42" W x 26½" H

**Capacity:** 72 Gallons

**Weight:** Without Champagne:

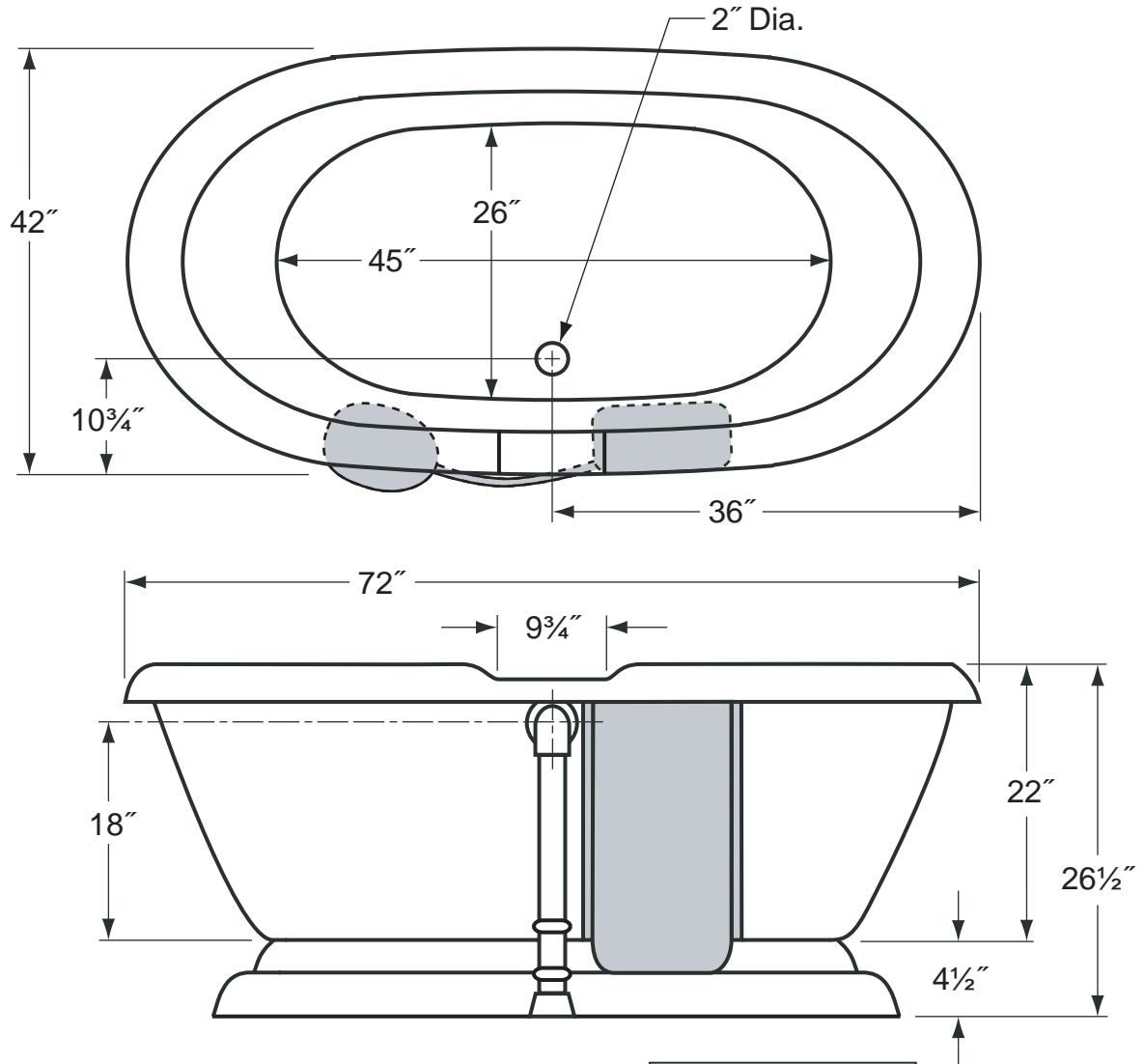
Dry wt. = 240 lbs.

Full wt. = 840 lbs.

With Champagne:

Dry wt. = 270 lbs.

Full wt. = 870 lbs.



- Shaded areas only included on models with Champagne Massage®.
- Champagne Massage® blower unit (12"L x 7"W x 10"H) is connected with a three foot adjustable hose and fits within the overall dimensions of the bathtub.
- The illustration above is shown with the standard F5-5710 Waste & Overflow. See individual specification sheets for other waste & overflow models.
- Dimensions shown have a tolerance of  $\pm \frac{1}{2}$ ".  
Dimensions shown not to scale.
- See Clawfoot Guide for detailed installation instructions.

